



# DUNTON HOUSE

## DECORATIVE LIGHTING

### ORACLE SATURN PENDANT E26

PROJECT  DATE

COMMENTS



#### PHYSICAL

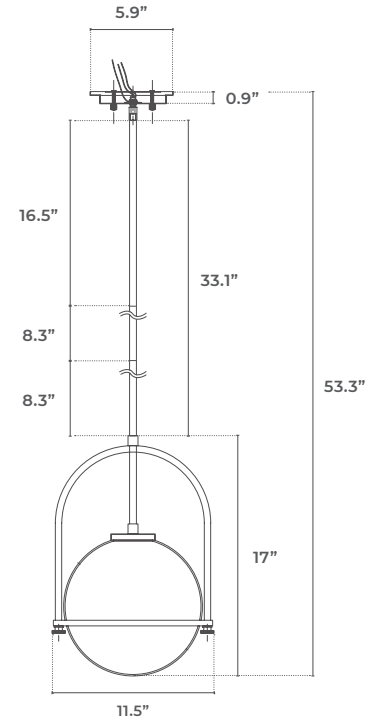
Material	Iron & Glass
Mounting	Suspended
Finish	Brushed Nickel
Source	1x E26 Base (Lamp Not Included)

#### PERFORMANCE

Warranty	5 years
Certification	UL

#### ELECTRICAL

Wattage	25W Maximum
Voltage	110-220V
Power Supply	Hard Wire



#### NOTES

Usage	Indoor Only
Iron Detail	Thickness: 0.05-0.06"
Testing	High Voltage, Grounding, Swivel Torsion, & Pull Test

#### ORDERING LOGIC

EX: ORACLE SATURN

FAMILY	OPTIONS
<b>ORACLE SATURN</b>	<input type="text"/>

**CC** Custom Configurations  
FOR ADDITIONAL OPTIONS CONTACT SALES@SAGE.LIGHTING