



TERRAIN SITE LIGHTING

PROJECT _____ DATE _____

COMMENTS _____



DISCONTINUED



ELECTRICAL	
Wattage	25W, 50W, 75W, 100W, 150W, 200W, 240W, 300W
Voltage	120-277VAC 50/60Hz
Power Factor	>0.98 at full load
Dimmable	0-10V (continuous dimming to 10% or lower)
Surge Protector	10kV (Standard), Tested According to IEEE/ANSI C62.41.2

PLP-G2 PARKING LOT PERFORMANCE LED GEN 2

The PLP Gen 2 series is a high-performance, high-efficacy LED area luminaire that is DLC Certified and Wet Location listed. PLP-G2 is Dark Sky Friendly and certified for 3G vibration standards. The aluminum housing is finished with a resilient powder coat that is resistant to corrosion, UV degradation, abrasion and salt fog environments. It is ideal for replacing 250-1000W metal halide with typical energy savings of 65% and exceptional rated life of 100,000 hours or more. Precision molded acrylic optics deliver outstanding photometric performance, excellent uniformity, increased pole spacing, and lower power density.

- Multiple Light Distributions
- Dimming & Surge Protector Standard
- Multiple Mounting Options

PHYSICAL

Material	Die-Cast Aluminum
Mounting	Round/Square Pole Mount, Slip Fitter, Trunnion Bracket
Lens	Precision Molded Acrylic
Finish	Bronze, Black, White, Gray, Silver, Platinum Bronze Ultra-durable powder coat finish endurance tested to withstand 3,000 hours of elevated ambient salt fog conditions. Provides resistance to corrosion, UV degradation, and abrasion.

PERFORMANCE

Warranty	10 Years (25-200W), 5 Years (240-300W)
Certifications	ANSI C136.31-2001 (3G Vibration), ASTM Standard B 117 (Salt Fog), Wet Location, cULus, DLC, FCC, RoHS, IDA
Rated Life	L70 100,000 hours minimum (refer to page 4)
Operating Temperature	-40°C to 50°C (-40°F to 122°F)
CCT	3000K, 4000K, 5000K
CRI	70+
Delivered Lumens	3256-36000 (refer to page 3)
Distribution	Type II, Type III, Type IV, Type V
THD	<15% at full load

ORDERING LOGIC

EX: PLP-G2-25-30-SPM-2-BZ

FAMILY	WATTAGE	CCT	MOUNTING	DISTRIBUTION	FINISH	OPTIONS						
PLP-G2	25	25W	30	3000K	SPM	Square Pole Mount	2	Type 2	BZ	Bronze	NPCR	No photocontrol
	50	50W	40	4000K	RPM	Round Pole Mount	3	Type 3	BK	Black	PCR3	ANSI 3-wire Photocontrol Receptacle
	75	75W	50	5000K	SF	Slip Fitter	4	Type 4	WH	White	PCR5	ANSI 5-wire Photocontrol Receptacle
	100	100W			TNM	Trunnion	5	Type 5	GR	Gray	PCR7	ANSI 7-wire Photocontrol Receptacle
	150	150W							SV	Silver	MS	Motion Sensor
	200	200W							PB	Platinum Bronze		
	240	240W										
	300	300W										

ORDERING NOTE
Photocontrol (PE) requires 100-277 voltage or short cap option.

ACCESSORIES ORDERING LOGIC ON PAGE 2



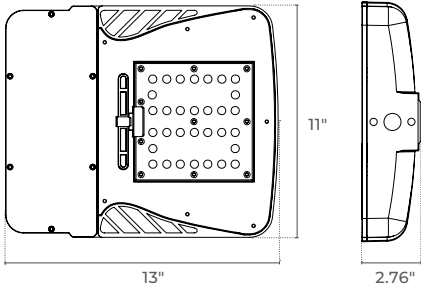
ACCESSORIES ORDERING LOGIC (ORDER SEPARATELY)

EX: PLP-G2-HSS-S

FAMILY	ACCESSORIES
PLP-G2	HSS-S House Side Shield Small <small>25W, 50W, 75W, AND 100W ONLY</small>
	HSS-M House Side Shield Medium <small>150W AND 200W ONLY</small>
	HSS-L House Side Shield Large <small>240W AND 300W ONLY</small>
	PC Photocell <small>COMPATIBLE WITH 3-PIN RECEPTACLE ONLY</small>

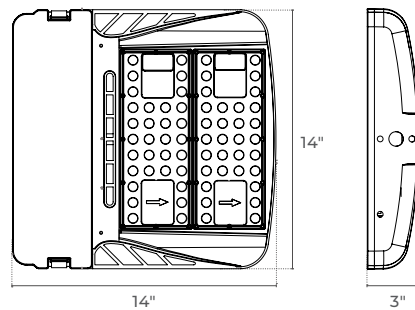
DIMENSIONS

25W - 100W



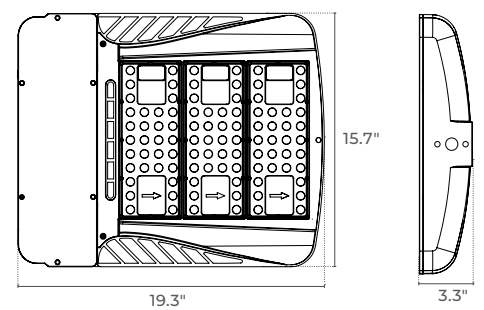
EPA: 0.25 ft²
WEIGHT: 10 lbs. (max)

150W, 200W



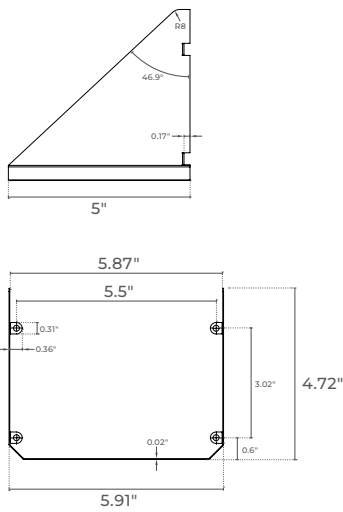
EPA: 0.32 ft²
WEIGHT: 10 lbs. (max)

240W, 300W

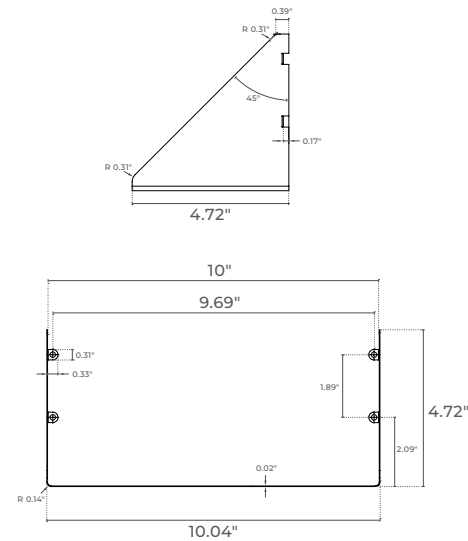


EPA: 0.43 ft²
WEIGHT: 17.6 lbs. (max)

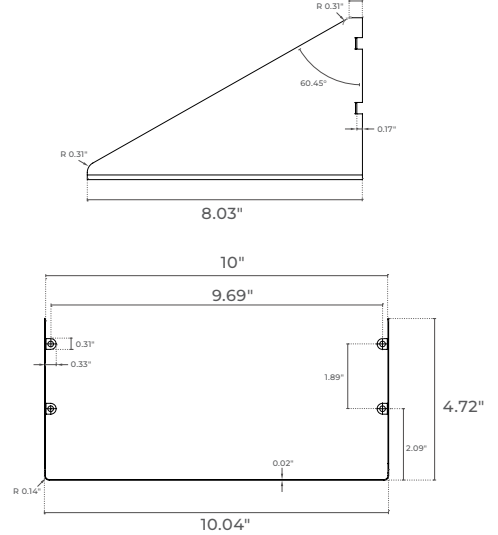
HSS-S



HSS-M

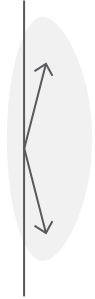


HSS-L

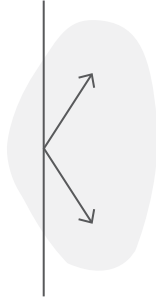


DISTRIBUTION

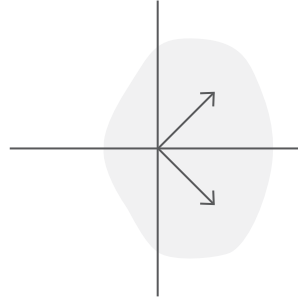
TYPE 2



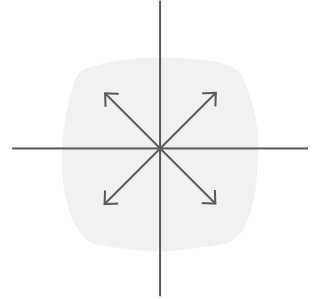
TYPE 3



TYPE 4

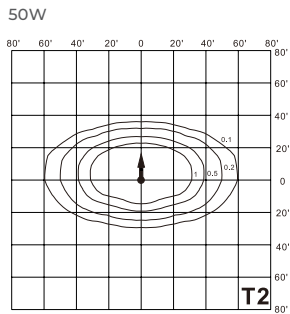


TYPE 5

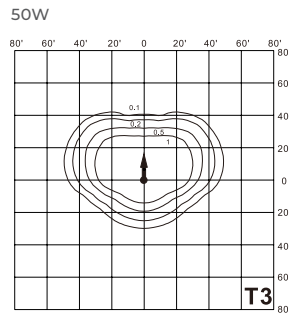


PHOTOMETRICS

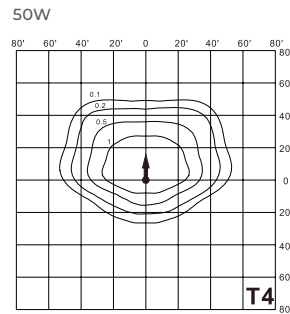
TYPE 2



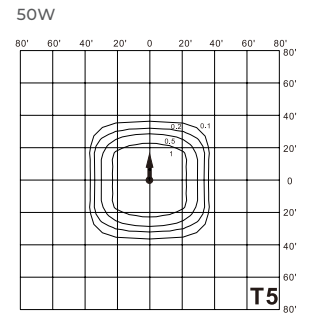
TYPE 3



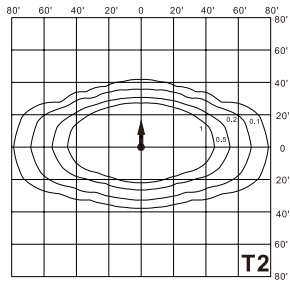
TYPE 4



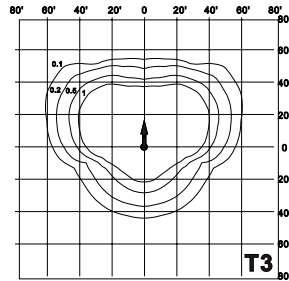
TYPE 5



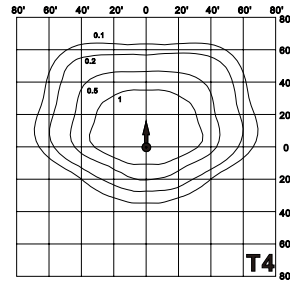
150W



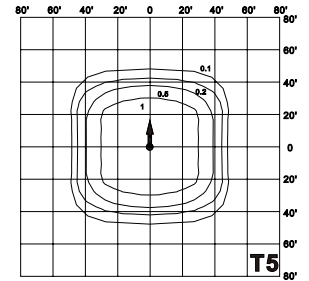
150W



150W



150W



PERFORMANCE DATA

Delivered lumen output values are from photometric tests performed in accordance with IESNA LM-79-08. Performance data is considered to be representative of the models shown within the tolerances allowed by Lighting Facts. Actual performance may vary as a result of the final installed ambient environment and application. Actual wattage may vary +/- 10% when operating between 120-277VAC.

25W - 100W

MODEL	LEDS	LED CURRENT	RATED WATTS	DIST TYPE	30K (3000K, 70CRI)					40K (4000K, 70CRI)					50K (5000K, 70CRI)				
					LUMENS	B	U	G	LPW	LUMENS	B	U	G	LPW	LUMENS	B	U	G	LPW
PLP-G2-25	16	75mA	25W	T2	3256	1	0	1	130	3536	1	0	1	141	3586	1	0	1	143
				T3	3292	1	0	1	132	3576	1	0	1	143	3626	1	0	1	145
				T4	3149	1	0	1	126	3421	1	0	1	137	3469	1	0	1	139
				T5	3343	2	0	1	134	3631	2	0	1	145	3682	2	0	1	147
				T2	5732	2	0	2	115	6226	2	0	2	125	6314	2	0	2	126
PLP-G2-50	16	150mA	50W	T2	5797	1	0	1	116	6296	1	0	1	126	6385	1	0	1	128
				T3	5545	2	0	2	111	6023	2	0	2	120	6108	2	0	2	122
				T4	5886	3	0	1	118	6392	3	0	1	128	6483	3	0	1	130
				T5	9287	2	0	2	124	10087	2	0	2	134	10230	2	0	2	136
				T3	9392	2	0	2	125	10201	2	0	2	136	10345	2	0	2	138
PLP-G2-75	32	120mA	75W	T4	8984	2	0	2	120	9758	2	0	2	130	9896	2	0	2	132
				T5	9535	3	0	1	127	10357	3	0	1	138	10503	3	0	1	140
				T2	10894	3	0	3	109	11832	3	0	3	118	11999	3	0	3	120
				T3	11016	2	0	2	110	11965	2	0	2	120	12134	2	0	2	121
				T4	10538	2	0	2	105	11446	2	0	2	114	11608	2	0	2	116
PLP-G2-100	32	150mA	100W	T5	11185	3	0	1	112	12148	3	0	1	121	12320	3	0	1	123

150W, 200W

MODEL	LEDS	LED CURRENT	RATED WATTS	DIST TYPE	30K (3000K, 70CRI)					40K (4000K, 70CRI)					50K (5000K, 70CRI)				
					LUMENS	B	U	G	LPW	LUMENS	B	U	G	LPW	LUMENS	B	U	G	LPW
PLP-G2-150	64	120mA	150W	T2	17286	3	0	3	115	18775	3	0	3	125	19040	3	0	3	127
				T3	17470	2	0	2	116	18975	2	0	2	126	19243	2	0	2	128
				T4	18172	2	0	2	121	19737	2	0	2	132	20016	2	0	2	133
				T5	18526	4	0	2	124	20122	4	0	2	134	20406	4	0	2	136
				T2	19957	4	0	4	100	21676	4	0	4	108	21982	4	0	4	110
PLP-G2-200	64	150mA	200W	T3	20170	3	0	3	101	21907	3	0	3	110	22216	3	0	3	111
				T4	20980	3	0	3	105	22787	3	0	3	114	23109	3	0	3	116
				T5	21389	4	0	2	107	23231	4	0	3	116	23559	4	0	3	118

240W, 300W

MODEL	LEDS	LED CURRENT	RATED WATTS	DIST TYPE	30K (3000K, 70CRI)					40K (4000K, 70CRI)					50K (5000K, 70CRI)				
					LUMENS	B	U	G	LPW	LUMENS	B	U	G	LPW	LUMENS	B	U	G	LPW
PLP-G2-240	96	120mA	240W	T2	29300	4	0	4	122	29300	4	0	4	122	29500	4	0	4	123
				T3	29000	3	0	3	121	30657	3	0	3	121	29300	3	0	3	122
				T4	29500	3	0	3	123	29500	3	0	3	123	29800	3	0	3	124
				T5	29500	4	0	2	123	29500	4	0	3	123	29800	4	0	3	124
				T2	36000	4	0	4	120	36000	4	0	4	120	36000	4	0	4	120
PLP-G2-300	96	150mA	300W	T3	36000	3	0	3	120	36000	3	0	3	120	36000	3	0	3	120
				T4	36000	3	0	3	120	36000	3	0	3	120	36000	3	0	3	120
				T5	36000	4	0	2	120	36000	4	0	3	120	36000	4	0	3	120

ELECTRICAL DATA

25W - 100W

MODEL	LEDS	LED CURRENT	SYSTEM WATTS	CURRENT		
				120V	240V	277V
PLP-G2-25	16	75mA	25W	0.21	0.11	0.10
PLP-G2-50		150mA	50W	0.42	0.21	0.19
PLP-G2-75		120mA	75W	0.63	0.32	0.28
PLP-G2-100	32	150mA	100W	0.84	0.42	0.37

150W, 200W

MODEL	LEDS	LED CURRENT	SYSTEM WATTS	CURRENT		
				120V	240V	277V
PLP-G2-150	64	120mA	150W	1.26A	0.63A	0.55A
PLP-G2-200		150mA	200W	1.67A	0.84A	0.73A

240W, 300W

MODEL	LEDS	LED CURRENT	SYSTEM WATTS	CURRENT		
				120V	240V	277V
PLP-G2-240	96	120mA	240W	2.10	1.20	0.93
PLP-G2-300		150mA	300W	2.50	1.25	1.09

LUMEN AMBIENT TEMPERATURE (LAT) MULTIPLIERS

AMBIENT		LUMEN MULTIPLIER
0°C	32°F	1.02
10°C	50°F	1.01
20°C	68°F	1.00
25°C	77°F	1.00
30°C	86°F	1.00
40°C	104°F	0.99



LUMINAIRE LUMEN MAINTENANCE FACTORS (LMF)

Data references the extrapolated performance projections for the models in a 25°C ambient environment. Based on 10,000 hours of LED testing per IESNA LM-80-08 and projected per IESNA TM-21-11. To calculate the light loss factor (LLF) use the LMF that corresponds to the desired number of operating hours below.

25W - 100W

OPERATING HOURS	0	25000	50000	75000	100000
LUMEN MAINTENANCE FACTOR	PLP-G2-25 16 LED 75mA				
	100%	96%	92%	88%	84%
	PLP-G2-50 16 LED 150mA				
	100%	96%	92%	88%	84%
	PLP-G2-75 32 LED 120mA				
	100%	96%	92%	88%	84%
PLP-G2-100 32 LED 150mA					
100%	96%	91%	87%	83%	

150W, 200W

OPERATING HOURS	0	25000	50000	75000	100000
LUMEN MAINTENANCE FACTOR	PLP-G2-150 64 LED 120mA				
	100%	105%	101%	98%	93%
	PLP-G2-200 64 LED 150mA				
100%	98%	88%	79%	71%	

240W, 300W

OPERATING HOURS	0	25000	50000	75000	100000
LUMEN MAINTENANCE FACTOR	PLP-G2-240 96 LED 120mA				
	PLP-G2-300 96 LED 150mA				
	100%	95%	91%	87%	83%

