

PROJECT DATE

COMMENTS



IN STOCK



ENERGY CHART

SPEED SETTING	LOW	MEDIUM	HIGH
RPM	70	145	180
Amps	0.2	0.4	0.5
Wattage	10	30	59
CFM	1732	3011	4566
CFM/Watts	173	100	77

BLADE FINISH



ROBIN LED CEILING FAN LED

Robin LED is a 52-inch indoor ceiling fan with a 3-speed AC motor available in a variety of finishes, multiple blade options and pull chain, remote, or wall switch control.

- Residential
- Commercial
- Hospitality

PHYSICAL

Material	Metal
Blade Material	3 Plywood Blades
Mounting	Suspended
Fan Diameter	52"
Source	LED
Housing Finish	See Options Below
Blade Finish	See Options Below
Sloped Ceiling Accommodation	Yes
Downrod Length	4" Standard, 40" Maximum

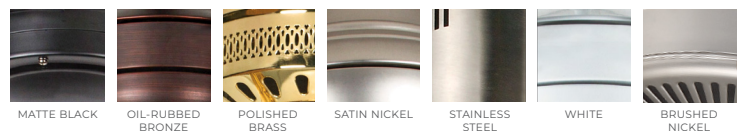
PERFORMANCE

Warranty	10 years for motor, 2 years for light kit, blade, housing, and cap
Certifications	Dry Location, UL, Energy Star
CCT	3000K
Delivered Lumens	1600lm
Dimmable	Yes
Features	Low Noise
Reversible	Yes

ELECTRICAL

Wattage	60W Motor / 19W integrated LED
Voltage	120V
Motor	AC Motor (153x18mm)
Controls	3-Speed Remote Control, 3-Speed Wall Control or Pull Chain
Compatible Wall Control	Lutron Maestro (#MACL-LFQ)

HOUSING FINISH



ORDERING LOGIC

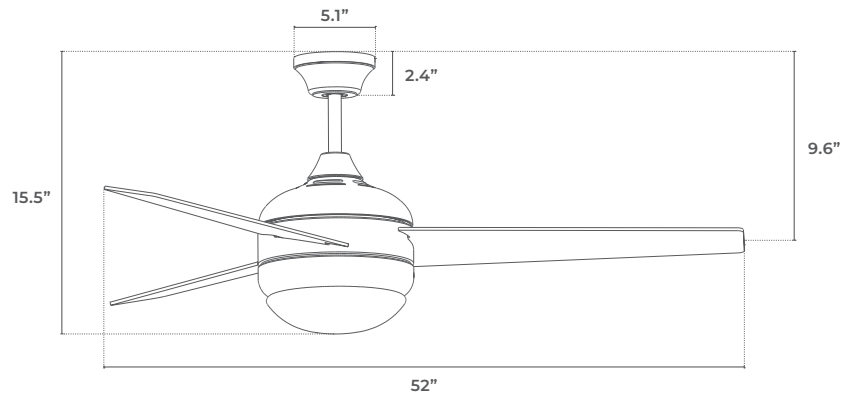
EX: ROBIN LED-3-3RC-MB-BF

FAMILY	BLADES	CONTROL		HOUSING FINISH			
ROBIN LED	3 3 Blades	3RC	3-Speed Remote Control	MB	Matte Black	SN	Satin Nickel
	4 4 Blades	3WC	3-Speed Wall Control	ORB	Oil-Rubbed Bronze	SS	Stainless Steel
	5 5 Blades	PC	Pull Chain	PB	Polished Brass	WH	White
				BN	Brushed Nickel		

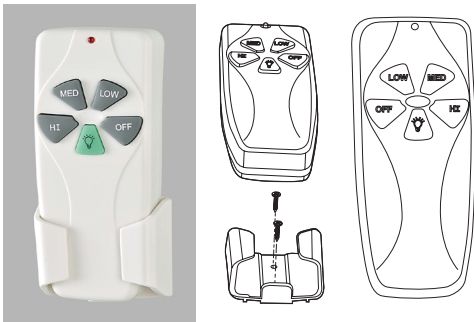
BLADE FINISH

(blank)	Brushed Nickel	DO	Dark Oak	MH	Mahogany	SO	Silver Oak
BF	Black Forest	DW	Dark Walnut	NO	Natural Oak	WGC	Wood Grain Chrome
BK	Black	DF	Dark Fern Leaf	NM	Nude Maple	WGWB	Wood Grain Weathered Bronze
CL	Charcoal	KP	Knotty Pine	ORB	Oil-Rubbed Bronze	WGW	Wood Grain White
CH	Chrome	LO	Light Oak	RW	Rosewood	WH	White

DIMENSIONS



REMOTE CONTROL



WALL SWITCH



DIMENSIONS
3.3" x 2"

NOTE: It installs onto standard US switch boxes

COMPATIBLE FAN CONTROLS

LUTRON MAESTRO (#MACL-LFQ)

WORKING PARAMETERS

FAN SPEED	1	2	3	4
RPM	54	84	117	185
Wattage (W) (MOTOR + LAMP)	25.4	31.6	41.2	69
Current (A) (MOTOR + LAMP)	0.29	0.35	0.43	0.6



ADDITIONAL IMAGERY

ROBIN-3 IMAGES



ROBIN-4 IMAGES



ROBIN-5 IMAGES

