

PROJECT  DATE

COMMENTS



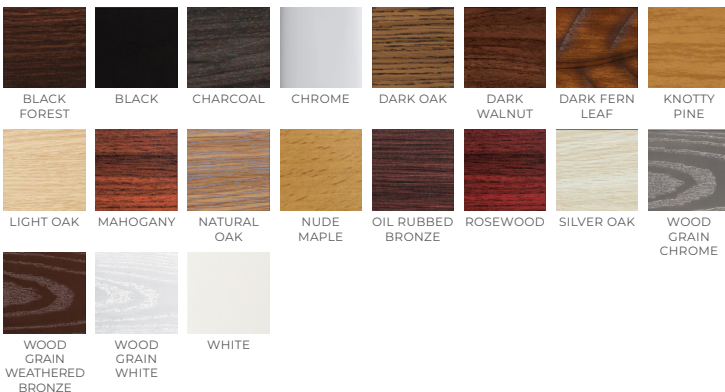
**IN STOCK**



### ENERGY CHART

SPEED SETTING	LOW	MEDIUM	HIGH
RPM	70	145	180
Amps	0.2	0.4	0.5
Wattage	10	30	59
CFM	1732	3011	4566
CFM/Watts	173	100	77

### BLADE FINISH



## ROBIN CEILING FAN E26 LED

Robin is a 52-inch indoor ceiling fan with a 3-speed AC motor available in a variety of finishes, multiple blade options and pull chain, remote, or wall switch control.

- Residential
- Commercial
- Hospitality

### PHYSICAL

Material	Metal
Blade Material	3 Plywood Blades
Mounting	Suspended
Fan Diameter	52"
Source	2x LED-E26 (Included)
Housing Finish	See Options Below
Blade Finish	See Options Below
Sloped Ceiling Accommodation	Yes
Downrod Length	4" Standard, 40" Maximum

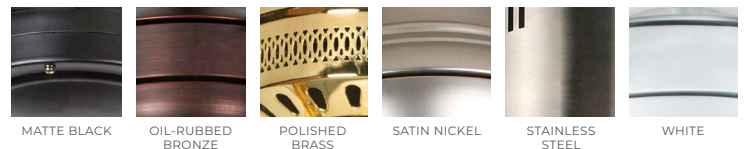
### PERFORMANCE

Warranty	10 years for motor, 2 years for light kit, blade, housing, and cap
Certifications	Dry Location, ETL, Energy Star
CCT	3000K
Dimmable	Yes
Features	Low Noise
Reversible	Yes

### ELECTRICAL

Wattage	60W Motor / 9W Maximum per Socket
Voltage	120V
Motor	AC Motor (153x18mm)
Controls	3-Speed Remote Control, 3-Speed Wall Control or Pull Chain
Compatible Wall Control	Lutron Maestro (#MACL-LFQ)

### HOUSING FINISH



**ORDERING LOGIC**

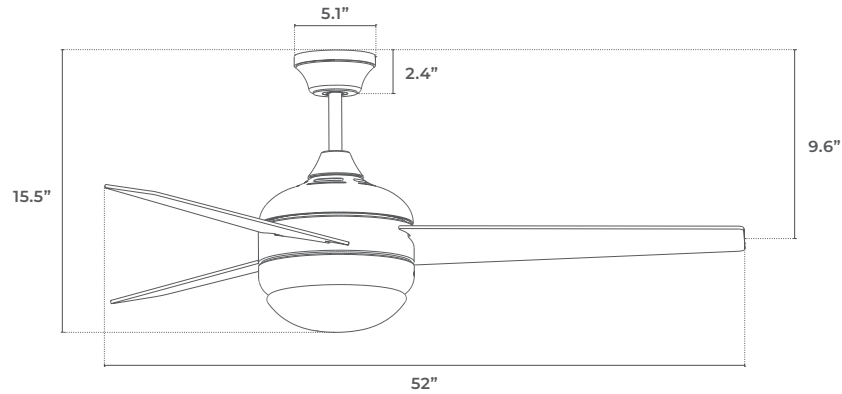
EX: ROBIN-3-3RC-MB-BF

FAMILY	BLADES	CONTROL		HOUSING FINISH			
<b>ROBIN</b>	<b>3</b> 3 Blades	<b>3RC</b>	3-Speed Remote Control	<b>MB</b>	Matte Black	<b>SN</b>	Satin Nickel
	<b>4</b> 4 Blades	<b>3WC</b>	3-Speed Wall Control	<b>ORB</b>	Oil-Rubbed Bronze	<b>SS</b>	Stainless Steel
	<b>5</b> 5 Blades	<b>PC</b>	Pull Chain	<b>PB</b>	Polished Brass	<b>WH</b>	White

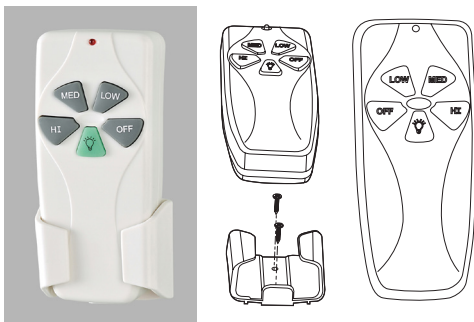
**BLADE FINISH**

<b>BF</b>	Black Forest	<b>DW</b>	Dark Walnut	<b>NO</b>	Natural Oak	<b>WGC</b>	Wood Grain Chrome
<b>BK</b>	Black	<b>DF</b>	Dark Fern Leaf	<b>NM</b>	Nude Maple	<b>WGWB</b>	Wood Grain Weathered Bronze
<b>CL</b>	Charcoal	<b>KP</b>	Knotty Pine	<b>ORB</b>	Oil-Rubbed Bronze	<b>WGW</b>	Wood Grain White
<b>CH</b>	Chrome	<b>LO</b>	Light Oak	<b>RW</b>	Rosewood	<b>WH</b>	White
<b>DO</b>	Dark Oak	<b>MH</b>	Mahogany	<b>SO</b>	Silver Oak		

**DIMENSIONS**



**REMOTE CONTROL**



**WALL SWITCH**



**DIMENSIONS**  
3.3" x 2"

**NOTE:** It installs onto standard US switch boxes

**COMPATIBLE FAN CONTROLS**

LUTRON MAESTRO (#MACL-LFQ)

**WORKING PARAMETERS**

FAN SPEED	1	2	3	4
RPM	54	84	117	185
Wattage (W) (MOTOR + LAMP)	25.4	31.6	41.2	69
Current (A) (MOTOR + LAMP)	0.29	0.35	0.43	0.6



**ADDITIONAL IMAGERY**

**ROBIN-3 IMAGES**



**ROBIN-4 IMAGES**



**ROBIN-5 IMAGES**

