

PROJECT \_\_\_\_\_ DATE \_\_\_\_\_

COMMENTS \_\_\_\_\_



RPR-FR-4-F

**ENERGY CHART**

SIZE	HEIGHT inches	WIDTH inches	DELIVERED LUMENS	WATTAGE	EFFICACY lm/w
4-F	0.35	4.72	900	9	100
6-F	0.35	6.77	1200	12	100
4-R	1.39	5.11	900	9	100
6-R	1.39	7.16	1400	14	100

**ORDERING LOGIC**

EX: RPR-FR-4-F

FAMILY	SIZE	LENS
<b>RPR-FR</b>		
	<b>4</b> 4"	<b>F</b> Flat
	<b>6</b> 6"	<b>R</b> Regressed

**RPR-FR RECESSED PANEL ROUND LED FIRE RATED**

RPR-FR is a 2-Hour Fire Rated LED downlight that complies with UL 263, ASTM E283/283M-19, and UL 1598. RPR-FR meets the 2-Hour Fire Rating with most floor-ceiling assemblies including UL L505, L511, L536, L538, L541, L556, L577, M500, M510, M521, and M543. Ideal for shallow ceiling installations with an overall height less than 1/2" that can install directly under joists and allow for maximum layout flexibility. Built with high quality materials including a certified 2-Hour Fire Rated housing and a heavy-duty commercial grade steel spring clip that provide a reinforced heat resistant solution for up to 2 hours of protection. RPR-FR uses plenum rated cable and a quick connect between the luminaire and junction box. The junction box has knockouts at each end and the wiring compartment allows for (6) 14 gauge insulated conductors with the added capability of connecting (1) downstream luminaire within the junction box compartment. RPR-FR is IC Air Tight, Energy Star, and suitable for damp locations with field selectable CCT and a 5 year warranty.

- Residential
- Commercial
- Hospitality

**PHYSICAL**

Material	Metal Housing, Metal Trim, Heavy-Duty Commercial Grade Steel Clip
Mounting	Recessed
Lens	Flat Edge-Lit Polycarbonate or Regressed Back-Lit Polycarbonate
Finish	White
Cable	FT6 / CMP Plenum Rated

**PERFORMANCE**

Warranty	5 years
Certifications	cETLus, Energy Star, Wet Location
Fire Rating	UL 263-2011(R2022), STM E119-20 & CAN/ULC-S101-14
IP Rating	IP20
Rated Life	L70 > 50,000 hours
Operating Temperature	-4°F to 104°F (-20°C to 40°C)
CCT	Field Selectable: 2700K/3000K/3500K/4000K/5000K
CRI	90
Beam Angle	120°
Airtight	Yes

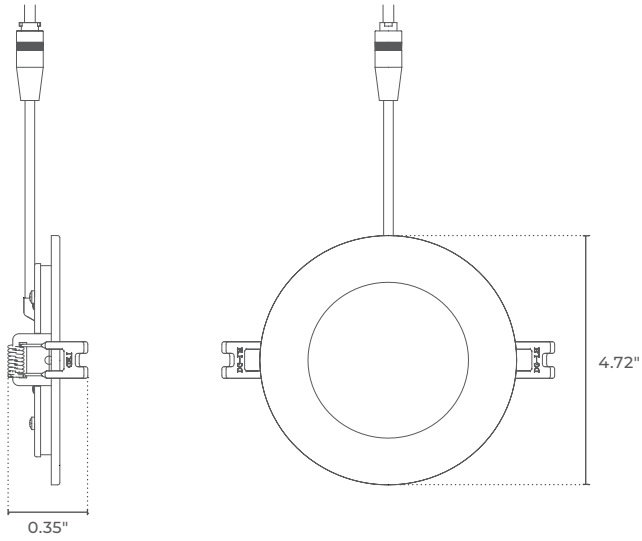
**ELECTRICAL**

Wattage	9W, 14W
Voltage	120V AC 50/60Hz
Power Factor	0.9
Dimmable	100-10% Triac Dimming

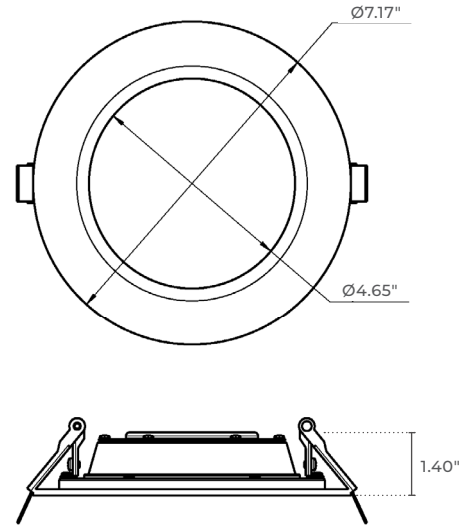


**DIMENSIONS**

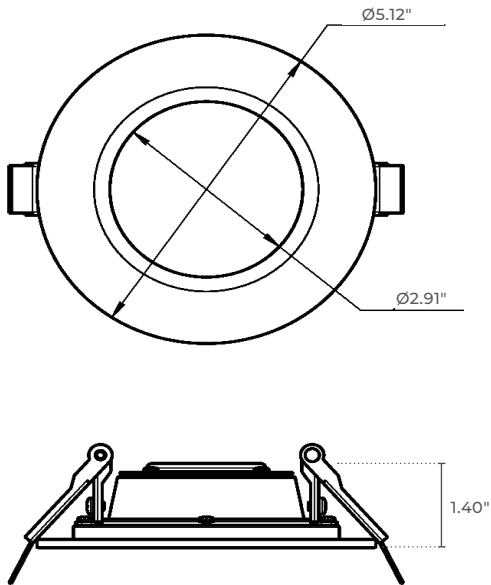
**RPR-FR-4-F**



**RPR-FR-6-R**

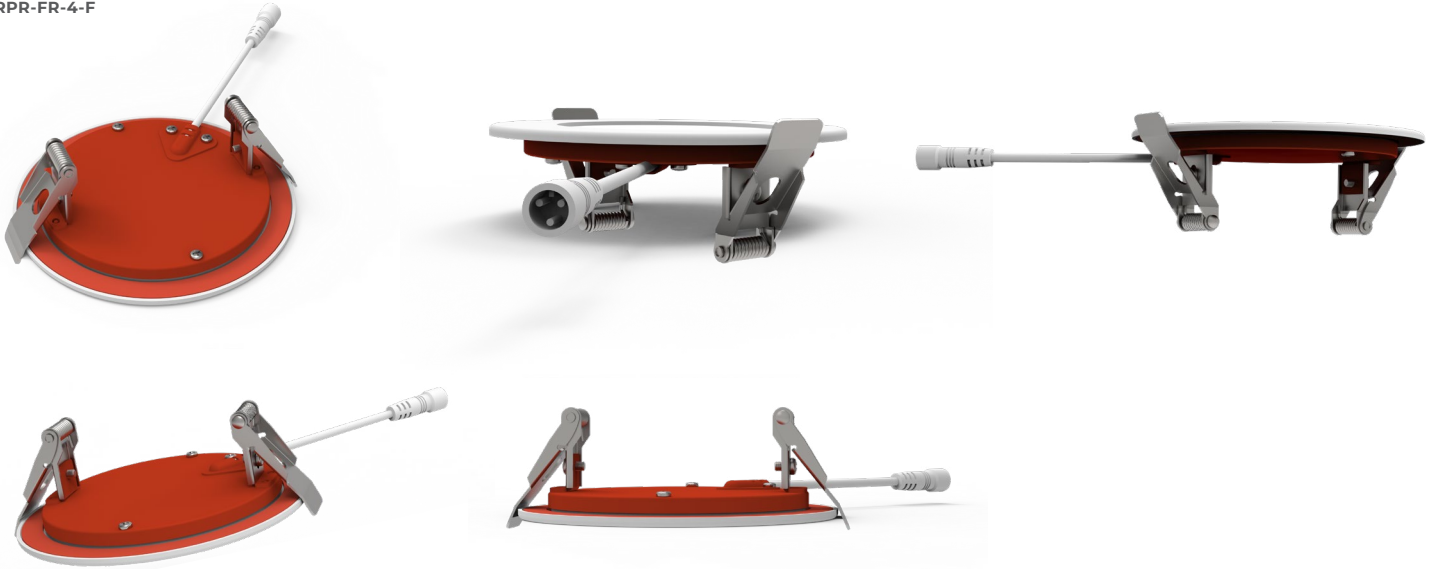


**RPR-FR-4-R**



**ADDITIONAL IMAGERY**

**RPR-FR-4-F**



**RPR-FR-4-R**



**ADDITIONAL IMAGERY**

**RPR-FR-6-F**



**RPR-FR-6-R**

