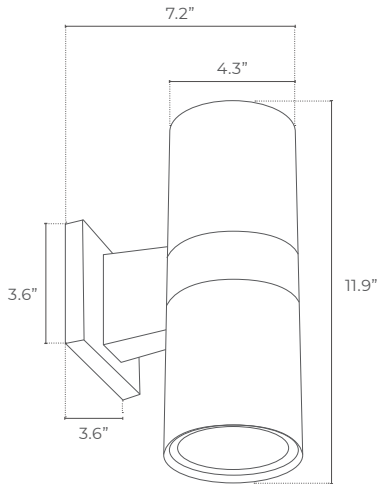


PROJECT _____ DATE _____

COMMENTS _____



RWC-DI ROUND WALL CYLINDER LED DIRECT/INDIRECT

The RWC-DI Series is an outdoor decorative, round, high output wall mount fixture with direct and indirect LED light distribution.

- Residential
- Commercial
- Hospitality

PHYSICAL

Material	Die-Cast Aluminum Housing
Mounting	Wall Mount
Lens	Tempered Glass
Finish	Powder Coated: Black, Bronze, White
CCT	3000K, 3500K, 4000K
CRI	80+
Beam Angle	120°

PERFORMANCE

Warranty	5 years
Certifications	Wet Location, ETL, CE, ROHS Compliant
IP Rating	IP65
Rated Life	L90 90,000 hours
Operating Temperature	-15°C to 45°C (5°F to 113°F)

ELECTRICAL

Wattage	18W
Voltage	120V
Power Factor	300M24-54V

ENERGY CHART

SIZE	HEIGHT inches	WIDTH inches	LUMENS	WATTAGE	EFFICACY lm/w
11	11.9	4.5	1482	18	82.3

ORDERING LOGIC

EX: RWC-DI-30-BK

FAMILY	CCT	FINISH	OPTIONS
RWC-DI			
30	3000K	BK Black	DS Dust-to-Dawn Daylight Sensor
35	3500K	BZ Bronze	CC Custom Configurations FOR ADDITIONAL OPTIONS CONTACT SALES@SAGE.LIGHTING
40	4000K	WH White	