

RWC-DI-G2 ROUND WALL CYLINDER LED DIRECT/INDIRECT GEN 2

The RWC-DI-G2 Series is an outdoor decorative, round, high output wall mount fixture with direct and indirect LED light distribution.

- Residential
- Commercial
- Hospitality

PROJECT _____ DATE _____

COMMENTS _____



PHYSICAL

Material	Die-Cast Aluminum Housing
Mounting	Wall Mount
Lens	Acrylic
Finish	Powder Coated: Black, Bronze, White, Gray

PERFORMANCE

Warranty	5 years
Certifications	Wet Location, UL, cULus, RoHS Compliant
IP Rating	IP65
Rated Life	50,000 hours
Operating Temperature	-40°C to 50°C (-40°F to 122°F)
THD	<20% at full load
CCT	2700K, Field Selectable: 3000K/4000K/5000K
CRI	80+
Beam Angle	60°

ENERGY CHART

HEIGHT inches	DIAMETER inches	DELIVERED LUMENS	WATTAGE	EFFICACY lm/w
11.6	4.3	2000	20	100

ELECTRICAL

Wattage	20W
Voltage	110-277Vac
Power Factor	>0.9 at full load

ORDERING LOGIC

EX: RWC-DI-G2-27-BK

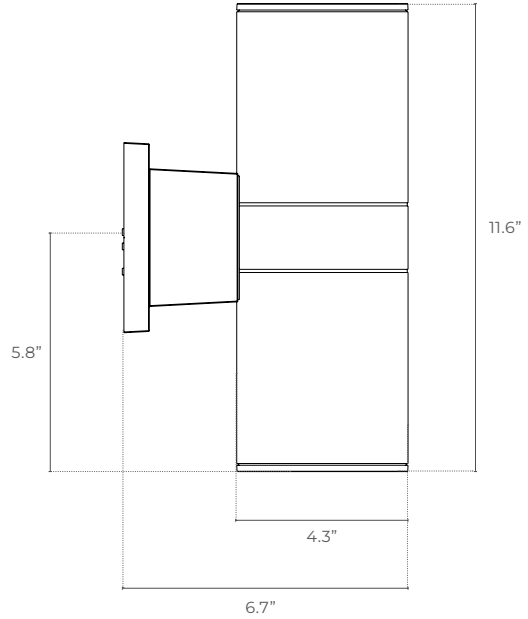
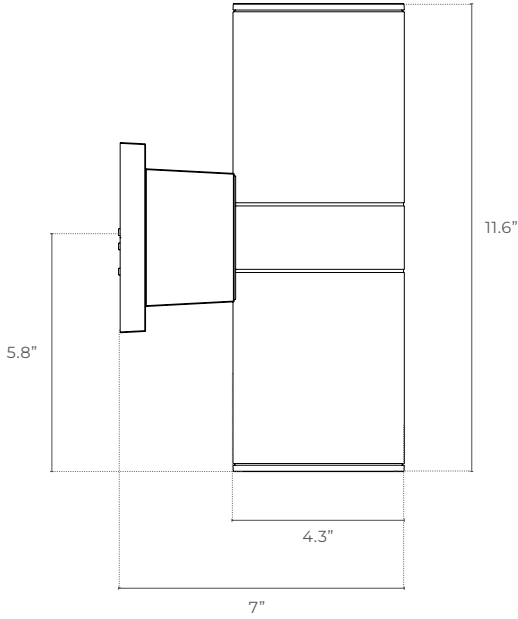
FAMILY	CCT	FINISH	OPTIONS
RWC-DI-G2	27 2700K	BK Black	DS Dusk-to-Dawn Daylight Sensor
	FS Field Selectable 3000K / 4000K / 5000K	BZ Bronze	
		WH White	
		GR Gray	



DIMENSIONS

27 CCT OPTION

FS CCT OPTION



ADDITIONAL IMAGERY

