

PROJECT \_\_\_\_\_ DATE \_\_\_\_\_

COMMENTS \_\_\_\_\_



## SDL SLIM DISK LIGHT LED

The SDL Series offers a low-profile, high output surface mount LED luminaire that meets Energy Star's efficiency standards.

- Residential
- Commercial
- Hospitality

### PHYSICAL

Housing Material	Iron
Mounting	Surface Mount
Finish	White, Bronze, Black
CCT	Field Selectable SCCT: 2700K/3000K/3500K/4000K/5000K
CRI	>90
Beam Angle	100°

### PERFORMANCE

Warranty	5 years
Certifications	ETL, Energy Star, FCC, Wet Location, Title 24, JAB Compliant
Rated Life	L70 50,000 hours
Operating Temperature	-20°C to 40°C (-4°F to 104°F)

### ENERGY CHART

SIZE	HEIGHT inches	DIAMETER inches	DELIVERED LUMENS	WATTAGE	EFFICACY lm/w
4	0.91	5.91	650	10	65
6	0.98	7.28	1100	15	73.3

### ELECTRICAL

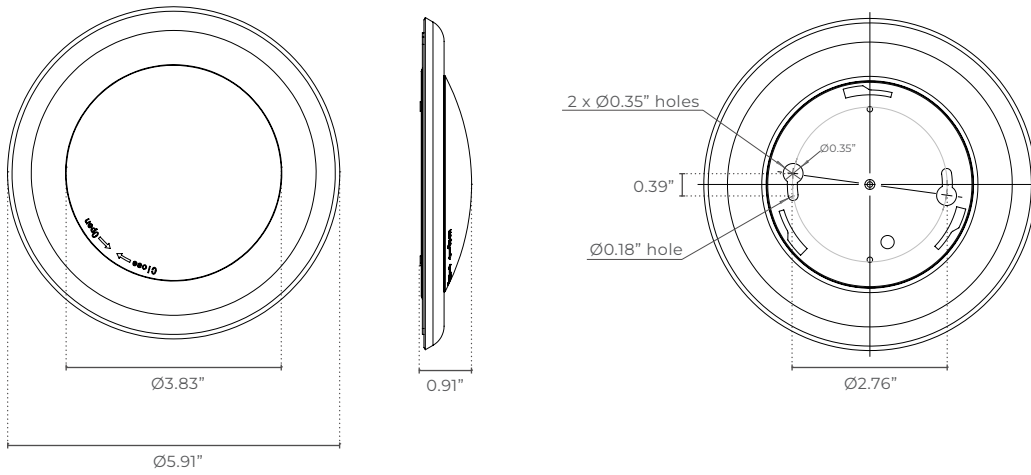
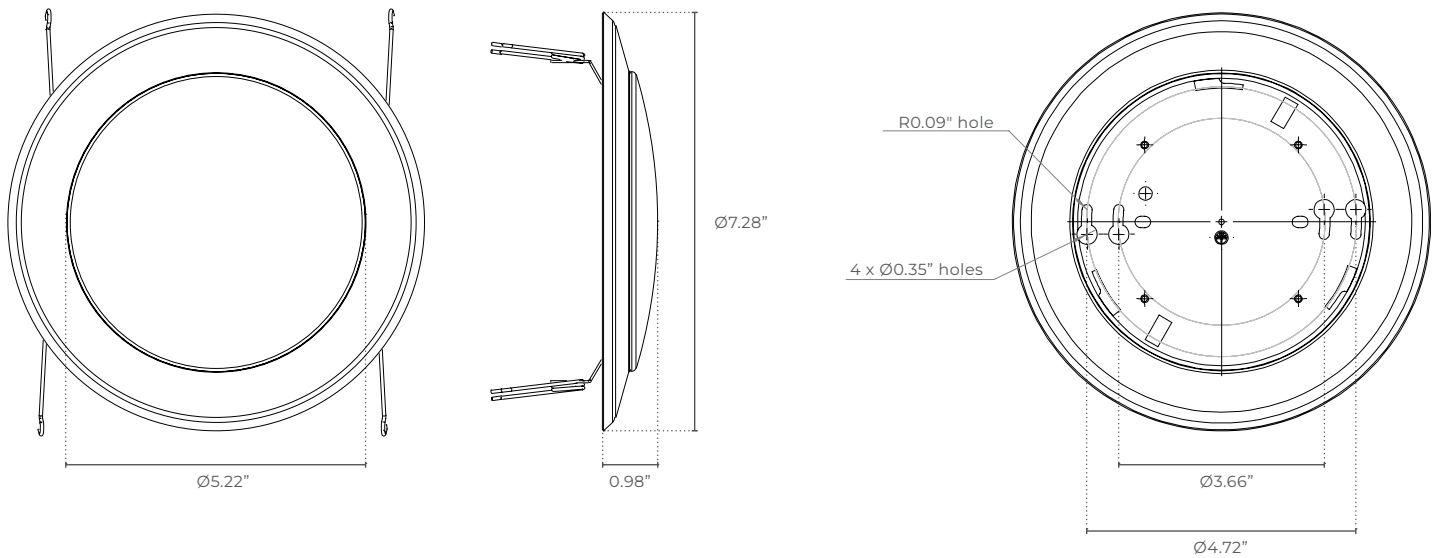
Voltage	120V
Wattage	10W, 15W
Power Factor	>0.9
Dimmable	Triac

### ORDERING LOGIC

EX: SDL-4-BK

FAMILY	SIZE	FINISH
<b>SDL</b>		
	<b>4</b> Fits 4"	<b>WH</b> White
	<b>6</b> Fits 5"/6"	<b>BZ</b> Bronze
		<b>BK</b> Black



**DIMENSIONS**
**Size 4**

**Size 6**

**APPROVED DIMMERS**
**LEVITON MODELS**

- 6674
- 6633-P
- 6672
- 6631
- IPL06
- 1E1205
- DB33K1
- 1F4205
- 1A2305
- DSL06-ITW

**LUTRON MODELS**

- NT-1000
- S-603P
- S-600P
- DVCL-153P-WH
- CTCL-153PDH-WH
- SLV-600P-WH
- DV-600P
- CT-603PGH-WH
- MIR-600THW-WH
- MACL-153M-WH
- S-600PR-WH
- DVLV-603P-IV
- DVW-603PGH-WH
- DVFSQ-LFH
- SCL-153PR-WH
- CT-600PR-WH
- CT-103PR-WH
- DVWCL-153PH-LA
- CTCL-150H-WH
- CTCL-153PR-WH
- STCL-153PH-WH



**ADDITIONAL IMAGERY**

---

