

PROJECT _____ DATE _____

COMMENTS _____



SDL-G2 SLIM DISK LIGHT LED GEN 2

SDL-G2 is a versatile downlight solution designed for seamless surface mounting and retrofitting. Crafted from high-quality steel with a frosted polycarbonate diffuser, this fixture boasts color tunable technology, allowing users to select from five different color temperatures ranging from warm 2700K to bright 5000K. With a wet-location rating, the SDL-G2 is perfect for bathrooms, laundry rooms, porches, and garage workspaces. Experience exceptional color rendering with a 90+ CRI and smooth continuous dimming from 100% to 5% when paired with most triac dimmers. Built with a top-tier 120V driver, the SDL-G2 ensures energy efficiency while meeting ETL, Energy Star, FCC, and Title 24 JA8 standards.

- Residential
- Commercial
- Hospitality



SIZE 6

PHYSICAL

Housing Material	Steel
Lens Material	Frosted Polycarbonate
Mounting	4 inch: Surface (3.5" Junction Boxes) 6inch: Surface (2.75", 3.5", & 4" Junction Boxes or 5"/6" Recessed Cans with Retrofit Accessory Kit)
Finish	White

PERFORMANCE

Warranty	5 years
Certifications	cETLus, FCC, Title 24 JA8, Wet Location, Energy Star
Rated Life	≥50,000 hours
Operating Temperature	-4°F to 113°F (-20°C to 45°C)
CCT	Field Selectable: (2700K/3000K/3500K/4000K/5000K)
CRI	90CRI
Beam Angle	120°

ELECTRICAL

Wattage	15W
Volatage	120V, 60Hz
Power Factor	>0.9
Dimmable	Yes, dimmable to 5% with compatible Triac and ELV dimmers

ACCESSORIES ORDERING LOGIC (ORDER SEPARATELY)

EX: SDL-G2-RAK

ORDERING LOGIC

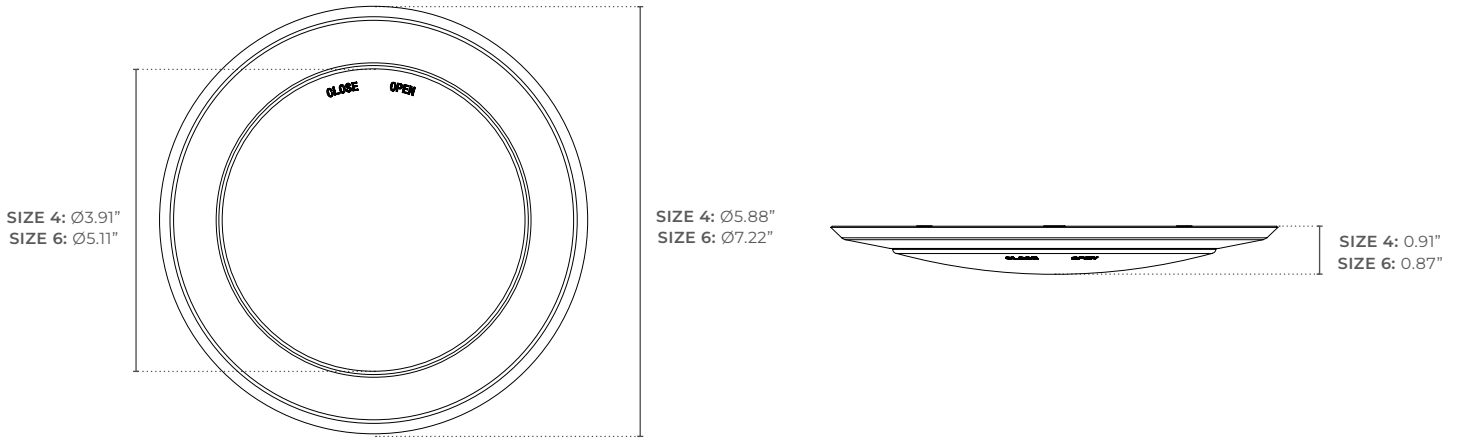
EX: SDL-G2-4-WH

FAMILY	SIZE	FINISH
SDL-G2		WH
	4 4 inch	WH White
	6 6 inch	

FAMILY	ACCESSORIES
SDL-G2	
RAK	Retrofit Accessory Kit Includes: Wire Nuts (3), E26 Adapter (1), Mounting Springs (2). Only compatible with 6inch.



DIMENSIONS



INSTALLATION ACCESSORIES

SURFACE MOUNT ACCESSORIES
(Included with base product)



Wire Nuts (3)



Screws (2)

RETROFIT ACCESSORIES
(Ordered separately)



Wire Nuts (3)



E26 Adapter (1)



Mounting Springs (2)

RECOMMENDED DIMMERS

LUTRON MODELS

- TG-600PR-WH
- S-600PR-WH
- CTCL-153PDH-WH
- TGCL-153PH-LA
- SLV-600P-AL
- DV-600PR-WH
- SCL-153PH-WH
- GT-600P

- DVCL-153P
- PD-6WCL
- MSCL-OP153M
- MACL-153M//MA-R

LEVITON MODELS

- 6672
- 6674
- DSL06
- PL06
- RNL06

ADDITIONAL IMAGERY

SIZE 4



CCT Switch

SIZE 6



CCT Switch

