

PROJECT \_\_\_\_\_ DATE \_\_\_\_\_

COMMENTS \_\_\_\_\_



### ENERGY CHART

SPEED SETTING	LOW	MEDIUM	HIGH
RPM	98	155	200
Amps	0.2	0.3	0.5
Watts	8.5	29	50
CFM	1500	2900	4200
CFM/Watts	176	100	84

## SPARROW CEILING FAN E26 LED

Sparrow is a 52-inch five blade indoor ceiling fan with a 3-speed AC motor and pull chain. Sparrow is available in three finishes and can be supplied with a combination fan speed dimmer wall switch.

- Residential
- Commercial
- Hospitality

### PHYSICAL

Material	Metal
Blade Material	5 Plywood Blades
Mounting	Suspended
Fan Diameter	52"
Source	2x LED-E26 (Included)
Finish	Black, Brushed Nickel, White
Sloped Ceiling Accommodation	14°

### PERFORMANCE

Warranty	2 years
Certification	Dry Location, ETL
CCT	3000K
Dimmable	Yes
Features	Low Noise
Reversible	Yes

### ELECTRICAL

Wattage	60W
Voltage	120V
Motor	AC Motor (153x15mm)
Controls	Pull Chain (Standard) or Combination Fan Speed Dimmer Wall Switch

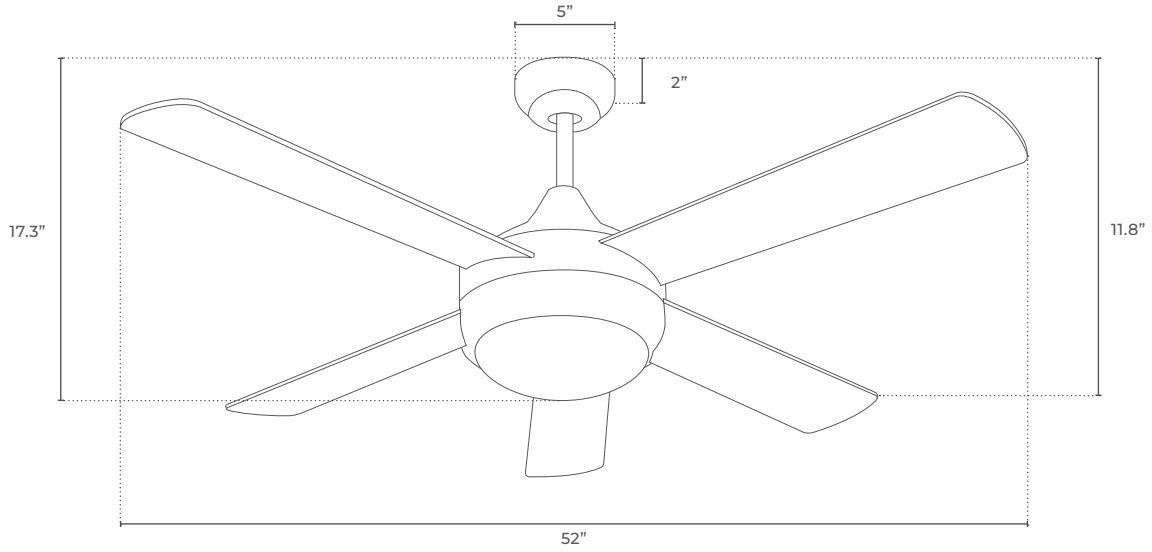
### ORDERING LOGIC

EX: SPARROW-BK

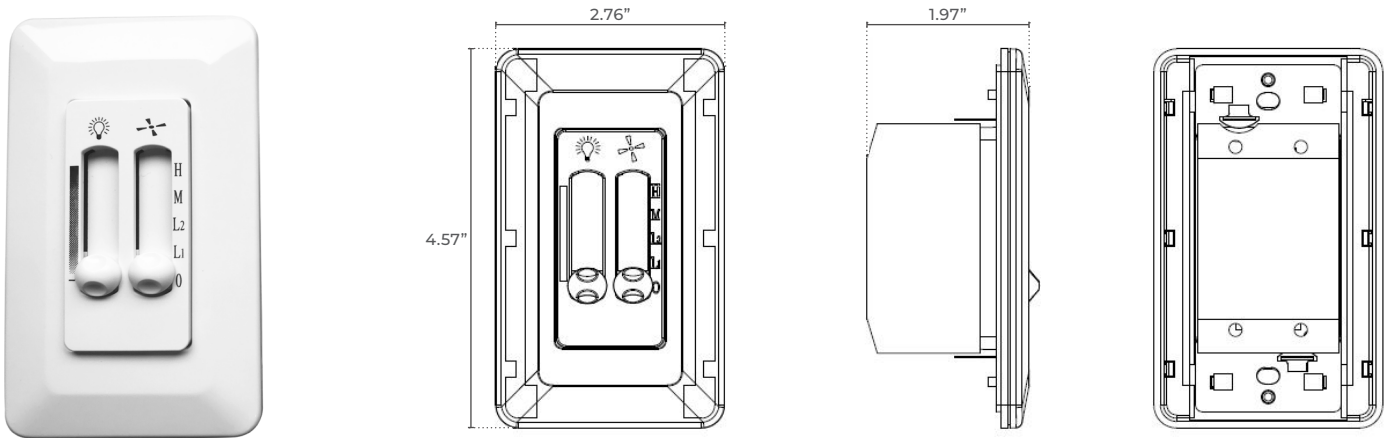
FAMILY	FINISH	CONTROL
<b>SPARROW</b>		
	<b>BK</b> Black	<b>(blank)</b> Pull Chain (Standard)
	<b>BN</b> Brushed Nickel	<b>WS</b> Combination Fan Speed Dimmer Wall Switch
	<b>WH</b> White	



**DIMENSIONS**



**WALL CONTROL**



**ADDITIONAL IMAGERY**

SPARROW-BK



SPARROW-BN-WS

