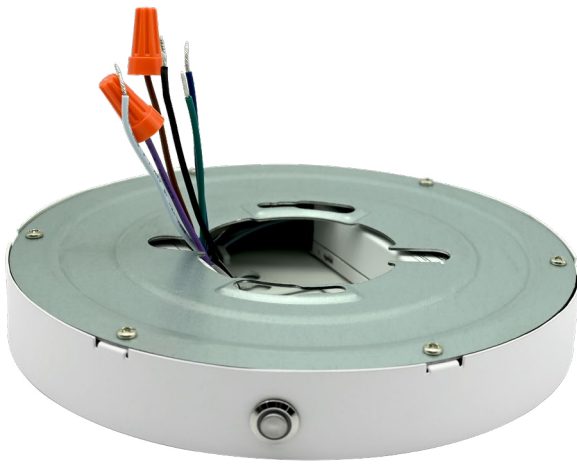


PROJECT _____ DATE _____

COMMENTS _____



SPR-7-EM SLIM PANEL ROUND 7" EMERGENCY BACKUP

SPR-7-EM is a 7" surface mounted emergency back box with an integral constant power emergency battery that provides 90 minutes of emergency lighting for SPR-WL-7-XX-XX (ordered separately) . SPR-7-EM easily installs to 2.75" and 3.5" junction boxes and connects directly to the AC input of SPR-WL-7-XX-XX. SPR-7-EM includes a 2-in-1 test switch and red charging indicator light. The emergency driver meets or exceeds all NEC, IBC, and Life Safety Code emergency lighting requirements in addition to CA Title 20 battery charge efficiency standards.

- Residential
- Commercial
- Hospitality

PHYSICAL

Material	Metal
Mounting	Surface (2.75in and 3.5in Junction Box)
Finish	White
LED Charge Indicator	Red
Dimensions	7.44" D x 1.1" H
Net Weight	1.3KG

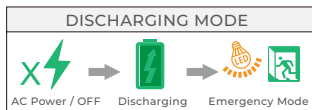
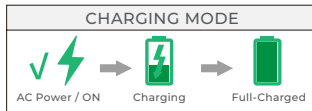
PERFORMANCE

Warranty	5 years
Certifications	cULus, RoHS, Damp Location, CEC Title 20
IP Rating	IP20
Operating Temperature	41°F to 122°F (5°C to 50°C)
Emergency Time	1.5 hours
Initial Charge	24 hours

ELECTRICAL

Wattage	15W
Voltage	AC 120V
Output Voltage	<= AC 110V
Input Current	< 120mA
Power Frequency	60Hz
Battery Capacity	3000mH
Battery Type	Li-ion

OPERATION



INDICATOR LIGHT



ORDERING LOGIC

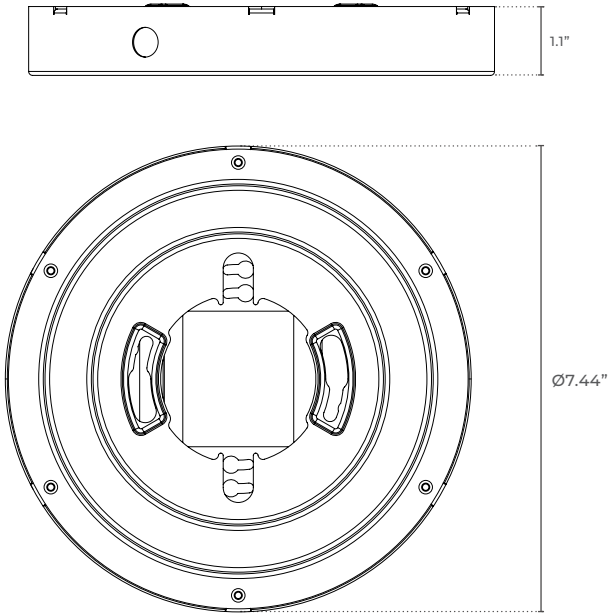
EX: SPR-7-EM

FAMILY	EMERGENCY OPTION
SPR-7	EM
	EM Emergency Backup

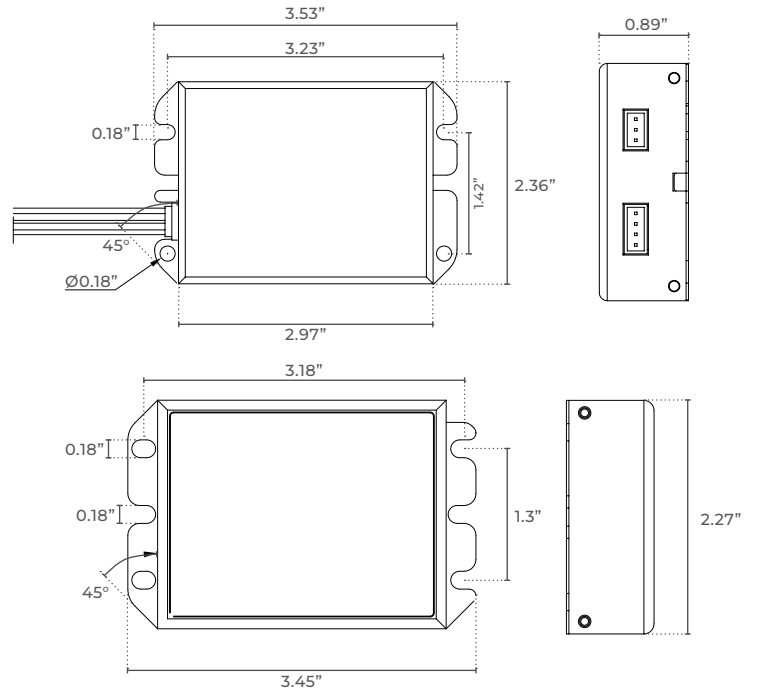


DIMENSIONS

Whole Product



Battery



ADDITIONAL SPECIFICATIONS

- Meets or exceeds all NEC, IBC, and Life Safety Code Emergency Lighting Requirements
- High efficiency performance meets CA Title 20 battery charge efficiency standards
- Listed to UL924 and tested to CSA 22.2, No 141 for Field or Factory Installation (Indoor and Damp)

ADDITIONAL IMAGERY

