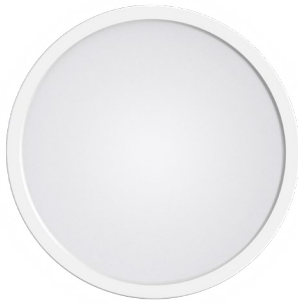


PROJECT _____ DATE _____

COMMENTS _____



ENERGY CHART

SIZE	TOTAL DIAMETER inches	WATTAGE	CCT	DELIVERED LUMENS	EFFICACY lm/w
5	5.5	10	2700K	525	52.5
			3000K	551	55.1
			3500K	596	59.6
			4000K	650	65
			5000K	578	57.8
7	7.5	15	2700K	980	65.3
			3000K	1044	69.6
			3500K	1090	72.7
			4000K	1127	75.1
			5000K	1072	71.5
9	8.9	18	2700K	1042	57.9
			3000K	1129	62.7
			3500K	1214	67.4
			4000K	1240	68.9
			5000K	1179	65.5

ORDERING LOGIC

EX: SPR-WL-5-30-BK

FAMILY	SIZE	CCT	FINISH*
SPR-WL		FS	WH
	5 5.5"	FS Field Selectable <small>2700K / 3000K / 3500K / 4000K / 5000K</small>	WH White
	7 7.5"		
	9 8.9"		

*Additional trim finishes available as a separate accessory attachment, see page 2

SPR-WL SLIM PANEL ROUND LED WET LOCATION

The SPR-WL Series offers a low-profile, high output surface mount LED luminaire that is suitable for wet locations.

- Residential
- Commercial
- Hospitality

PHYSICAL

Mounting	2.75"/3 1/4" J-Boxes All Sizes, 5"/6" Cans Sizes 7 & 9 Sizes Only
Finish	Black, Bronze, Brushed Nickel, White

PERFORMANCE

Warranty	5 years
Certifications	Wet Location, Energy Star, Title 24
Rated Life	>50,000 hours
Operating Temperature	-10°C to 50°C (14°F to 122°F)
CCT	Field Selectable: 2700K/3000K/3500K/4000K/5000K
SDCM	≤6
CRI	90
R9	>50
Beam Angle	120°

ELECTRICAL

Wattage	10W, 15W, 18W
Voltage	120V
Power Factor	≥0.7
Dimmable	100% - 5% Triac Dimming
THD	<30%

TRIM FINISHES



SEE ACCESSORIES ORDERING LOGIC ON PAGE 2

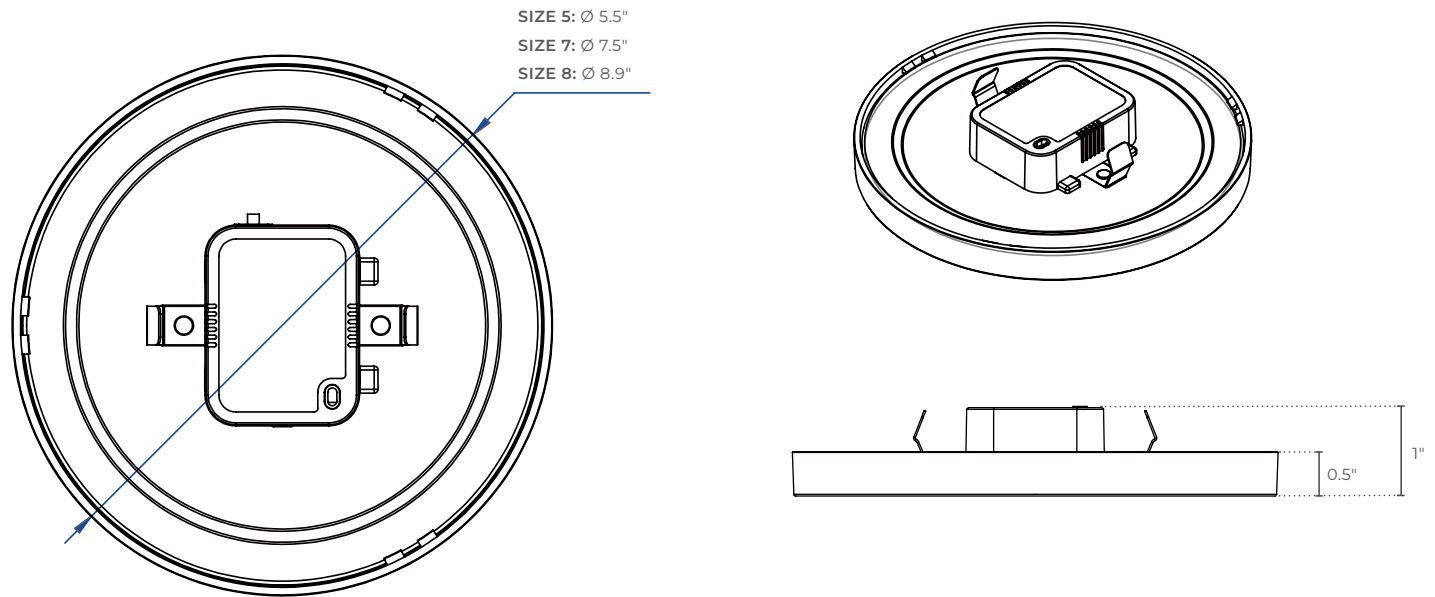


ACCESSORIES ORDERING LOGIC (ORDER SEPARATELY)

EX: SPR-WL-5-30-BK

TRIM	SIZE	FINISH	EMERGENCY
SPR-WL-TRIM			
	5 5"	BK Black	JBEM Junction Box Emergency Backup
	7 7"	BZ Bronze	
	9 9"	BN Brushed Nickel	

DIMENSIONS



ADDITIONAL IMAGERY



TRIMS

SPR-WL-TRIM-5-BK



SPR-WL-TRIM-5-BZ



SPR-WL-TRIM-5-BN



SPR-WL-TRIM-7-BK



SPR-WL-TRIM-7-BZ



SPR-WL-TRIM-7-BN



SPR-WL-TRIM-9-BK



SPR-WL-TRIM-9-BZ

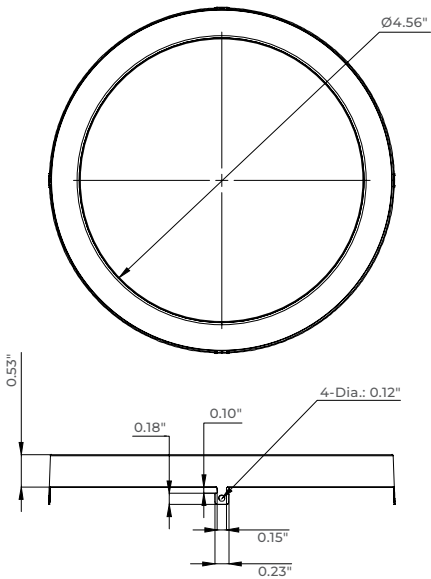


SPR-WL-TRIM-9-BN

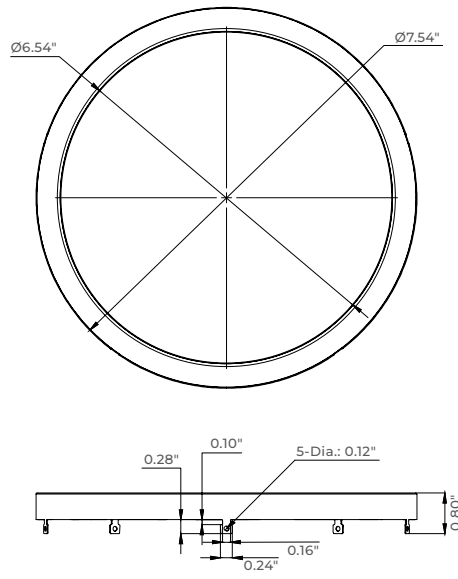


TRIM DIMENSIONS

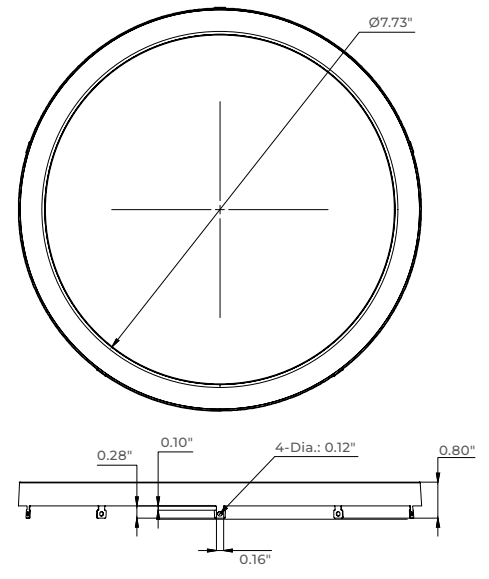
SPR-WL-TRIM-5



SPR-WL-TRIM-7

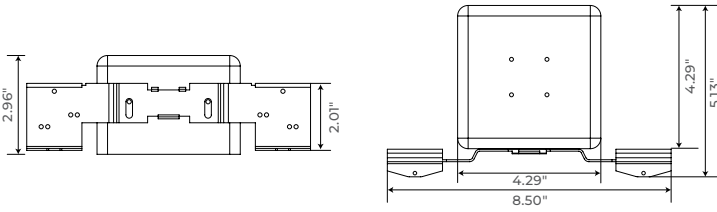


SPR-WL-TRIM-9



EMERGENCY SPECIFICATION

JBEM Junction Box Emergency Backup



TECHNICAL SPECIFICATIONS

Wattage	15W
Input Voltage	AC 120V
Output Voltage	≤ AC 110V
Emergency Time	1.5 hours
Initial Charge Time	24 hours
IP Rating	IP20
Battery Type	Li-ion
Dimensions	8.50" x 5.13" x 2.96"(216 x 130.4 x 75.2mm)
Operating Temp.	41°F – 122°F (5°C–50°C)
Warranty	5 years

Emergency LED Driver



TECHNICAL SPECIFICATIONS

Input Voltage	120V AC,50/60Hz
Input Current(Max.)	100mA
Input Power(Max.)	≤ 5W
Emergency Time	90 minutes
Charging Time	24 hours
Output Voltage	≤110V AC
Warranty	5 years
Adaptive Power	≤ 15W
Battery Type	Li-ion
Ambient Temp.	41°F – 122°F (5°C–50°C)

