



DUNTON HOUSE

DECORATIVE LIGHTING

SQUIRE FLUSH MOUNT LED

PROJECT DATE

COMMENTS



PHYSICAL

Material	Die-Cast Aluminum
Mounting	Surface (Ceiling/Wall), 3" & 4" J-Boxes
Finish	Black, Bronze, Brushed Nickel, White
CCT	2700K, 3000K, 4000K, 5000K, 6000K, Field Selectable 2CCT
CRI	80+ or 90+
Beam Angle	120°

PERFORMANCE

Warranty	5 years
Certifications	Damp Location, CETL, Energy Star
IP Rating	IP44
Rated Life	L70 30,000 hours
Operating Temperature	-20°C to 50°C (-4°F to 122°F)

ELECTRICAL

Wattage	10.5W, 13.5W, 18.5W, 24W, 32W, 48W
Voltage	120V, 277V, 120-277V
Power Factor	0.98
Dimmable	Triac Dimming

ENERGY CHART

SIZE	LENGTH inches	WIDTH inches	LUMENS	WATTAGE	EFFICACY lm/w	VOLTAGE
5	5.5	5.5	800	10.5	76.2	120V / 277V
7	7.0	7.0	1100	13.5	81.5	120V / 277V 120-277V
9	9.0	9.0	1320	18.5	71.4	120V / 277V 120-277V
12	12.0	12.0	1900	24	79.2	120V
16	16.0	16.0	2400	32	75	120V
24	24.0	24.0	3300	48	68.8	120V

NOTES

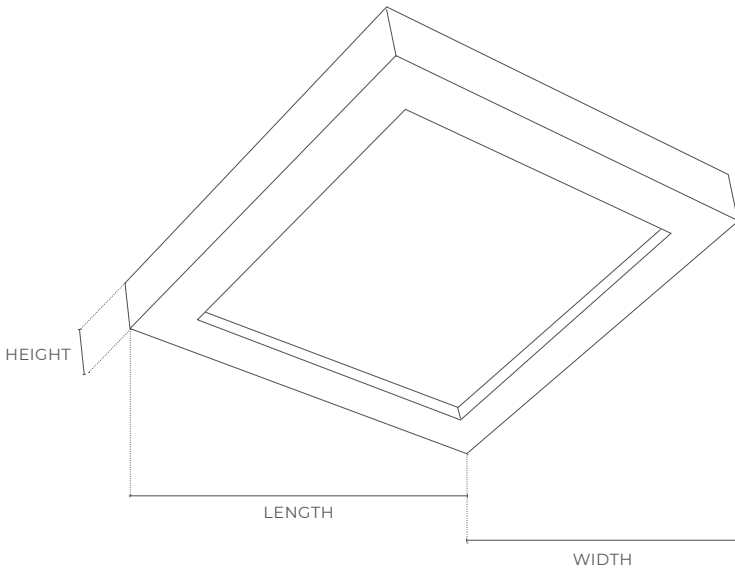
Usage Indoor (Ceiling/Wall), Outdoor (Covered Ceiling)

ORDERING LOGIC

EX: SQUIRE-5-12-12-27-80-BZ

FAMILY	SIZE	VOLTAGE	CCT	CRI	FINISH	OPTIONS
SQUIRE	5	5.5" 120V	27 2700K	80 80+	BK Black <small>12" / 16" / 24" ONLY</small>	EM Emergency Backup: 90-Min.
	7	7" 277V <small>5" / 7" / 9" ONLY</small>	30 3000K	90 90+	BZ Bronze	CC Custom Configurations <small>FOR ADDITIONAL OPTIONS CONTACT SALES@SAGELIGHTING</small>
	9	9" UNV 120-277V <small>7" / 9" ONLY</small>	40 4000K		BN Brushed Nickel	
	12	12"	50 5000K		WH White	
	16	16"	60 6000K			
	24	24"	FS2 Field Selectable <small>CHOOSE 2</small>			

DIMENSIONS



SIZE	LENGTH inches	WIDTH inches	HEIGHT inches
5	5.5	5.5	1.0
7	7.0	7.0	2.2
9	9.0	9.0	1.0
12	12.0	12.0	1.1
16	16.0	16.0	1.1
24	24.0	24.0	1.1

PHOTOMETRICS

Beam Angle: 108°

