



# ASCENT

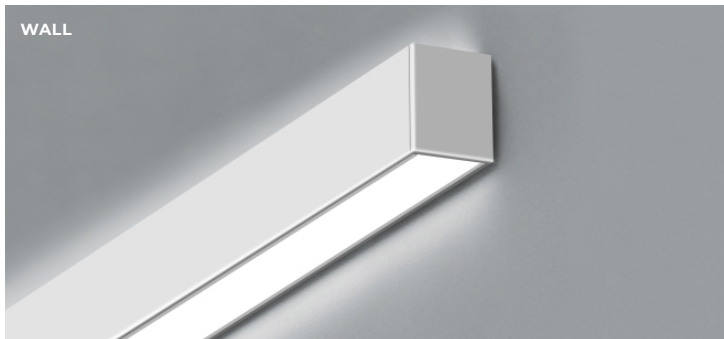
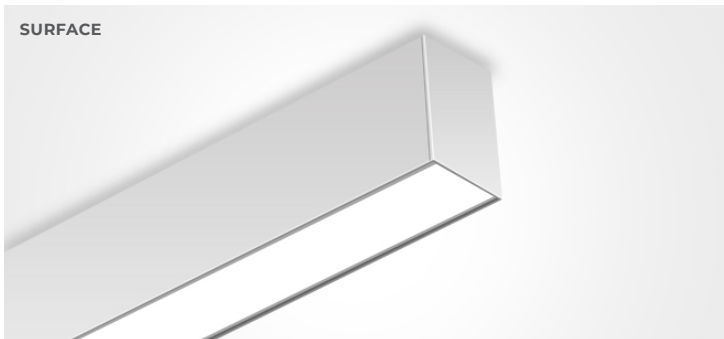
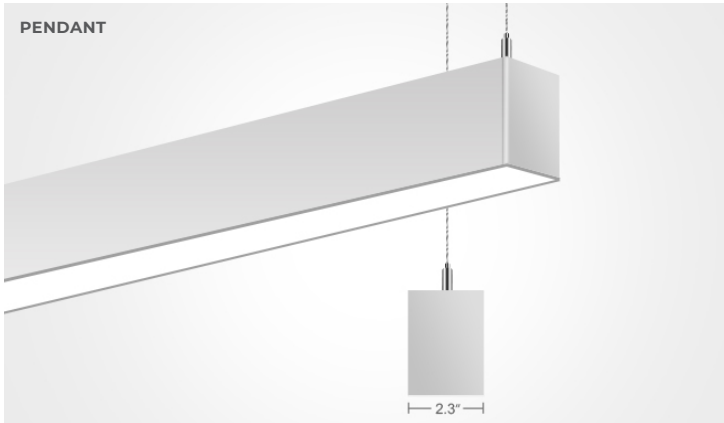
## ARCHITECTURAL LIGHTING

PROJECT  DATE

COMMENTS



**IN STOCK**



### SUMMIT 23 ARCHITECTURAL LINEAR LED

Summit is a sleek, streamlined architectural linear LED luminaire combining modern aesthetics with exceptional lighting quality. Summit 23 has a 2.34" wide profile that can be pendant, surface, or wall mounted in a black or white finish. Summit 23 can adapt to any application with 2ft, 4ft, or 8ft lengths that are equipped with field selectable CCT and field selectable wattage. The pendant version includes field selectable distribution offering 7 optical options for direct, indirect, and direct/indirect lighting.

- Commercial Office
- Classrooms
- Civic & Transportation

#### PHYSICAL

Material	Extruded Aluminum
Mounting	Pendant, Surface, Wall
Optics	Diffuser
Finish	Black, White

#### PERFORMANCE

Warranty	5 years
Certifications	Damp Location, cULus
Rated Life	50,000 hours
THD	<20%
CCT	Field Selectable: 3000K, 3500K, 4000K
CRI	80+
Distribution	Field Selectable: 100% Direct, 100% Indirect, 50% Indirect/ 50% Direct, 90% Indirect/10% Direct, 30% Indirect/70% Direct, 70% Indirect/30% Direct, 10% Indirect/90% Direct

#### ELECTRICAL

Wattage	Field Selectable: 10W, 15W, 20W, 30W, 40W, 60W, 80W
Voltage	100-277V
Power Factor	>0.9
LED Driver	Class 2 High Efficiency
Dimming	1-10V

**PENDANT MOUNT ENERGY CHART**

WIDTH	LENGTH	WATTAGE	DELIVERED LUMENS 3500K (50% Indirect, 50% Direct)	EFFICACY
2.3	2	10W / 15W / 20W	1150 / 1720 / 2300	115
	4	20W / 30W / 40W	2300 / 3400 / 4600	115
	8	40 / 60W / 80W	4600 / 6880 / 9200	115

**SURFACE & WALL MOUNT ENERGY CHART**

WIDTH	LENGTH	WATTAGE	DELIVERED LUMENS 3500K	EFFICACY
2.3	2	10W / 15W / 20W	1000 / 1500 / 2000	100
	4	20W / 30W / 40W	2000 / 3000 / 4000	100
	8	40 / 60W / 80W	4000 / 6000 / 8000	100



**PENDANT MOUNT ORDERING LOGIC**

EX: SUMMIT-23-P-2-FS2-UNV-FS-DF-FS7-BK-F

FAMILY	SIZE	MOUNTING	LENGTH	WATTAGE	VOLTAGE	CCT	OPTIC	DISTRIBUTION
<b>SUMMIT</b>	<b>23</b>	<b>P</b>			<b>UNV</b>	<b>FS</b>	<b>DF</b>	<b>FS7</b>
<b>23</b>	2.3"	<b>P</b>	Pendant	<b>2</b> 2' <b>FS2</b> Field Selectable <small>10W / 15W / 20W</small> <b>4</b> 4' <b>FS4</b> Field Selectable <small>20W / 30W / 40W</small> <b>8</b> 8' <b>FS8</b> Field Selectable <small>40W / 60W / 80W</small>	<b>UNV</b> 110-277V	<b>FS</b> Field Selectable <small>3000K / 3500K / 4000K</small>	<b>DF</b> Diffuser	<b>FS7</b> Field Selectable <small>(100% Direct, 100% Indirect, 50% Indirect/50% Direct, 90% Indirect/10% Direct, 30% Indirect/70% Direct, 70% Indirect/30% Direct, 10% Indirect/90% Direct)</small>

FINISH	CEILING TYPE
<b>BK</b> Black	<b>F</b> 9/16" or 15/16" Flat
<b>WH</b> White	<b>S</b> 9/16" Slot
	<b>D</b> Drywall

**ACCESSORIES (ORDER SEPARATELY)**

EX: SUMMIT-23-P-EM

FAMILY	ACCESSORIES
<b>SUMMIT-23-P</b>	<b>EM</b> 8W Emergency Battery

**SURFACE MOUNT ORDERING LOGIC**

EX: SUMMIT-23-S-2-FS2-UNV-FS-DF-D-BK-F

FAMILY	SIZE	MOUNTING	LENGTH	WATTAGE	VOLTAGE	CCT	OPTIC	DISTRIBUTION
<b>SUMMIT</b>	<b>23</b>	<b>S</b>			<b>UNV</b>	<b>FS</b>	<b>DF</b>	<b>D</b>
<b>23</b>	2.3"	<b>S</b>	Surface	<b>2</b> 2' <b>FS2</b> Field Selectable <small>10W / 15W / 20W</small> <b>4</b> 4' <b>FS4</b> Field Selectable <small>20W / 30W / 40W</small> <b>8</b> 8' <b>FS8</b> Field Selectable <small>40W / 60W / 80W</small>	<b>UNV</b> 110-277V	<b>FS</b> Field Selectable <small>3000K / 3500K / 4000K</small>	<b>DF</b> Diffuser	<b>D</b> 100% Direct

FINISH	CEILING TYPE
<b>BK</b> Black	<b>F</b> 9/16" or 15/16" Flat
<b>WH</b> White	<b>S</b> 9/16" Slot
	<b>D</b> Drywall

**ACCESSORIES (ORDER SEPARATELY)**

EX: SUMMIT-23-S-EM

FAMILY	ACCESSORIES
<b>SUMMIT-23-S</b>	<b>EM</b> 8W Emergency Battery

**WALL MOUNT ORDERING LOGIC**

EX: SUMMIT-23-W-2-FS2-UNV-FS-DF-D-BK

FAMILY	SIZE	MOUNTING	LENGTH	WATTAGE	VOLTAGE	CCT	OPTIC	DISTRIBUTION	FINISH
<b>SUMMIT</b>	<b>23</b>	<b>W</b>			<b>UNV</b>	<b>FS</b>	<b>DF</b>	<b>D</b>	
<b>23</b>	2.3"	<b>W</b>	Wall	<b>2</b> 2' <b>FS2</b> Field Selectable <small>10W / 15W / 20W</small> <b>4</b> 4' <b>FS4</b> Field Selectable <small>20W / 30W / 40W</small>	<b>UNV</b> 110-277V	<b>FS</b> Field Selectable <small>3000K / 3500K / 4000K</small>	<b>DF</b> Diffuser	<b>D</b> 100% Direct	<b>BK</b> Black <b>WH</b> White

**ACCESSORIES (ORDER SEPARATELY)**

EX: SUMMIT-23-W-EM

FAMILY	ACCESSORIES
<b>SUMMIT-23-W</b>	<b>EM</b> 8W Emergency Battery



**SPECIFICATIONS**

**OPTICS**

Diffuser Lens: 100% direct distribution for surface and wall mounting. Field selectable distribution by dip switch for pendant mounting includes: 100% Direct, 100% Indirect, 50% Indirect/50% Direct, 90% Indirect/10% Direct, 30% Indirect/70% Direct, 70% Indirect/30% Direct, 10% Indirect/90% Direct.

**CONSTRUCTION**

Extruded aluminum housing

**FINISH**

Powder coat white or black finish

**ELECTRICAL**

LED Driver: Class 2 high efficiency LED driver with 1-10V continuous dimming to 10% that works with many types of controls. Compatible with the following types of controls:

- Leviton IP710-DL
- Leviton IP710-LF
- Lutron PowPak 0-10V Dimming
- Lutron Diva-Dvtv
- Hubbell NX Distributed Room Control
- Cooper Greengate Room Controller
- nLight nPPI6D
- Wattstopper DLM

THD: <20%

Power Factor: >0.9

Input Voltage: 100-277V

**MOUNTING**

- Pendant or surface mount

**LED SYSTEM**

CRI: Minimum 80 color rendering index.

CCT: Field selectable CCT by dip switch 3000K, 3500K, and 4000K.

LED: Rated life is 50,000 hours with 87.8% of lumen maintenance in 25°C ambient temperature, in compliance with IES LM-80 testing measurements.

**APPROVALS**

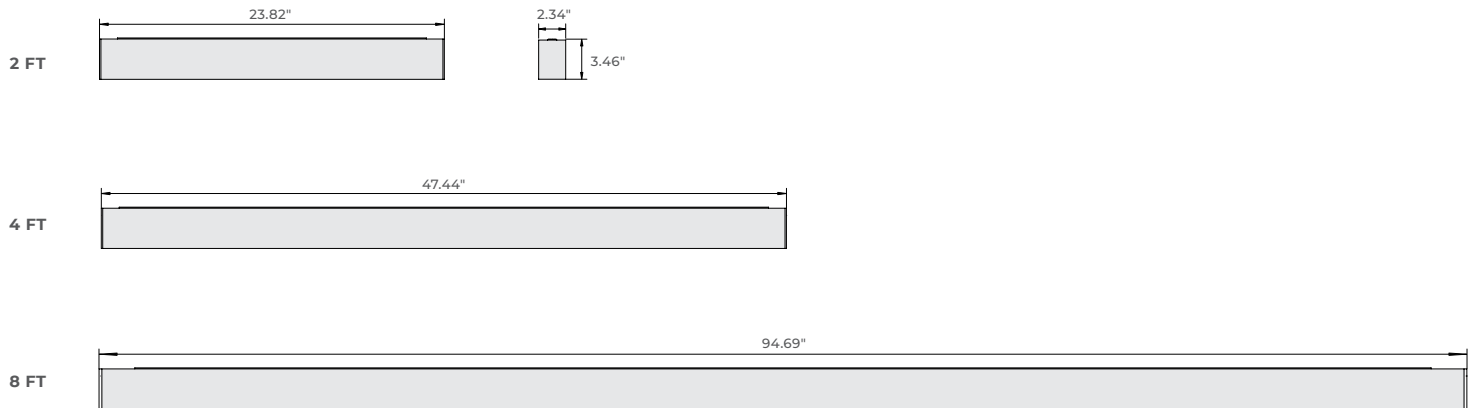
- cULus listed for damp locations
- 5 years limited warranty

**OPTIONAL FUNCTION**

Emergency Option: Optional 100-277V emergency LED driver for lighting up to 120 minutes in event of power failure, meets critical life-safety lighting requirements.

Field selectable wattage by dip switch adjusts wattage to 100%, 75%, and 50%.

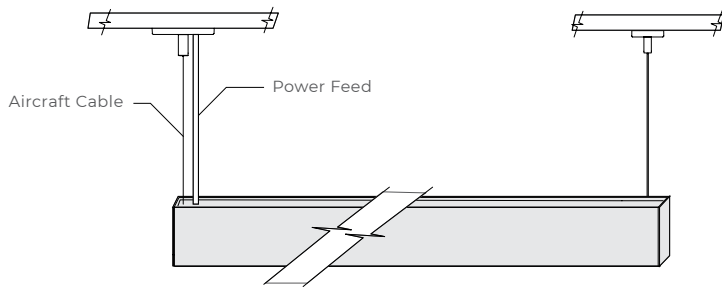
**DIMENSIONS**



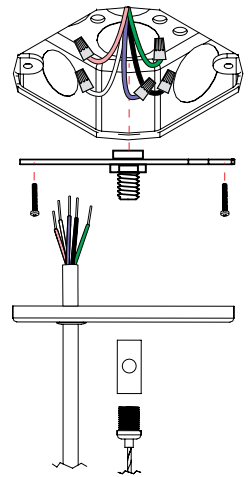
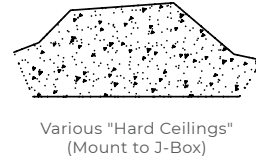


**MOUNTING**

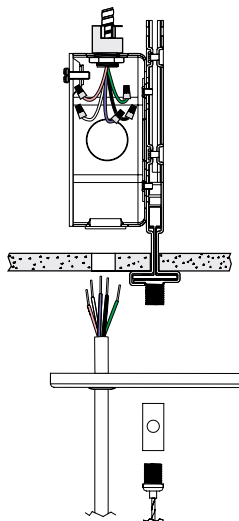
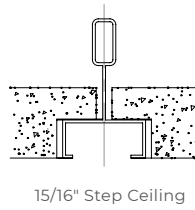
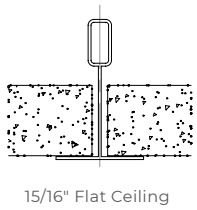
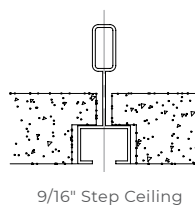
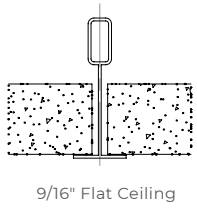
**INDIVIDUAL**



**DRYWALL CEILING / OFF GRID**



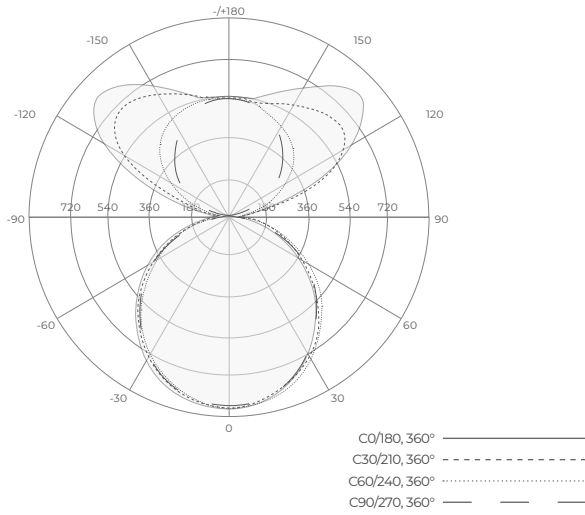
**DROP CEILING / ON GRID**





**PHOTOMETRICS - 2.3"-4'-Diffuser-50% Up, 50% Down-4000K**

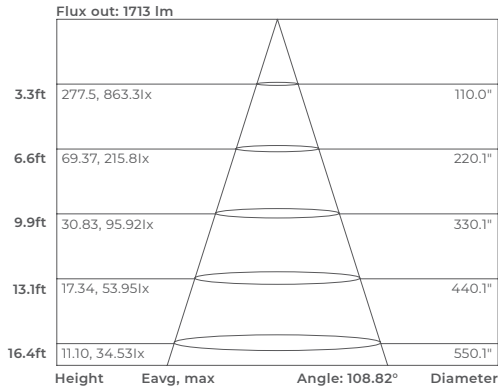
AVERAGE BEAM ANGLE (50%): 360°



**ZONAL FLUX DIAGRAM**

T	C0	C45	C90	C135	C180	C225	C270	C315
5	857.7	858.1	847.3	841.0	861.4	853.7	848.1	856.1
10	844.1	849.1	835.1	821.8	851.1	839.3	837.7	851.1
15	822.1	831.6	815.6	795.4	833.5	817.4	819.0	839.8
20	792.8	807.2	788.8	762.5	807.4	788.9	792.8	820.2
25	757.1	775.5	755.5	723.0	774.6	753.2	760.5	793.2
30	716.2	737.2	715.9	677.7	735.6	711.7	721.7	759.2
35	667.9	693.4	670.2	627.5	690.3	664.2	676.4	719.2
40	616.1	644.0	619.9	572.8	639.9	611.7	626.2	673.2
45	559.4	589.1	564.3	513.7	585.0	554.8	571.2	621.7
50	499.2	530.9	505.0	451.3	525.8	493.6	511.7	565.9
55	434.1	468.3	441.5	385.1	462.7	428.4	448.0	505.6
60	365.3	402.1	374.7	315.6	395.8	360.6	381.1	441.0
65	295.4	332.9	305.0	244.5	326.8	289.8	310.4	373.2
70	224.4	260.6	232.0	174.7	254.3	217.5	238.4	302.7
75	154.3	189.1	161.3	108.6	184.1	147.3	166.8	230.2
80	90.07	120.5	95.53	51.77	117.0	83.82	99.31	159.1
85	36.95	60.98	41.01	10.68	58.12	32.86	43.08	93.01
90	39.69	49.44	5.334	21.91	41.89	11.80	5.515	61.74
DEG	LUMINOUS INTENSITY: cd							

Average Illuminance Curve



**NOTE**  
The curves indicate the illuminated area and the average illumination when the luminaire is at different distance.

**ZONAL LUMEN SUMMARY**

T	φ ZONE	φ TOTAL	LUMEN/LAMP percentage
0-5	20.42	20.42	0.43,0.43
5-10	60.56	80.98	1.71,1.71
10-15	98.57	179.6	3.79,3.79
15-20	133.1	312.7	6.6,6.6
20-25	163.1	475.8	10,10
25-30	187.6	663.4	14,14
30-35	205.7	869.1	18.3,18.3
35-40	217.0	1086	22.9,22.9
40-45	221.2	1307	27.6,27.6
45-50	218.2	1525	32.2,32.2
50-55	207.9	1733	36.6,36.6
55-60	190.9	1924	40.6,40.6
60-65	167.5	2092	44.1,44.1
65-70	138.6	2230	47.1,47.1
70-75	105.8	2336	49.3,49.3
75-80	71.76	2408	50.8,50.8
80-85	39.81	2448	51.7,51.7
85-90	18.41	2466	52,52

UNIT: lm

**COEFFICIENTS OF UTILIZATION**

ppc	80%			70%			50%			30%			10%			0
	50%	30%	10%	50%	30%	10%	50%	30%	10%	50%	30%	10%	50%	30%	10%	
pw																
pfc																
RCR	RCR: Room Cavity Ratio (CU)															
0.0	108	108	108	0	0	0	84	84	84	71	71	71	58	58	58	52
1.0	94	90	86	87	83	80	74	71	69	62	60	58	51	50	48	43
2.0	81	75	70	75	70	65	64	60	57	54	51	48	44	42	40	36
3.0	71	64	58	66	60	54	57	51	47	48	44	41	39	37	34	30
4.0	63	55	49	59	51	46	50	45	40	42	38	32	35	32	29	26
5.0	56	48	42	52	45	39	45	39	35	38	33	30	31	28	25	22
6.0	50	42	36	47	39	34	40	34	30	34	30	26	28	25	22	19
7.0	45	37	32	42	35	30	36	31	26	31	26	23	26	22	20	17
8.0	41	33	28	38	31	26	33	27	23	28	24	20	24	20	18	15
9.0	37	30	25	35	28	23	30	25	21	26	22	18	22	18	16	14
10.0	34	27	22	32	26	21	28	23	19	24	20	17	20	17	14	12