



# ASCENT ARCHITECTURAL LIGHTING

PROJECT  DATE

COMMENTS



**IN STOCK**



## SUMMIT 23 R 2.3" ARCHITECTURAL LINEAR LED RECESSED

The SUMMIT 2.3" Recessed is a sleek, streamlined architectural linear LED luminaire combining modern aesthetics with exceptional lighting quality. SUMMIT 2.3" Recessed is available in 2', 3', 4', or 8' lengths and equipped with field selectable CCT and field selectable wattage. SUMMIT 2.3" Recessed is compatible with a variety t-grid ceilings including 9/16" flat, 9/16" slot, or 15/16" flat, and it can be used for trimless drywall applications. This linear system is easy to install and maintain with all components accessible from below the ceiling. In addition to individual fixtures, SUMMIT 2.3" Recessed can be joined for seamless runs or patterns made possible with a 42ft continuous rolling lens or illuminated L joiner..

- Commercial Office
- Classrooms
- Civic & Transportation

### PHYSICAL

Material	Powder Coated Extruded Aluminum
Mounting	Recessed
Lens	Diffuser
Finish	White, Black

### PERFORMANCE

Warranty	5 years
Certifications	Damp Location, cULus
Rated Life	50,000 hours
Operating Temperature	-20°C to 40°C (-4°F to 104°F)
THD	<20%
Distribution	100% Direct
CCT	Field Selectable: (3000K/3500K/4000K)
CRI	90+

### ELECTRICAL

Wattage	Field Selectable: (10W/15W/20W), (15W/20W/30W), (20W/30W/40W), (40W/60W/80W)
Voltage	110-277V
Power Factor	>0.9
LED Driver	Class 2 High Efficiency
Dimming	1-10V

### ENERGY CHART

LENS TYPE	LENGTH feet	WIDTH inches	DELIVERED LUMENS	WATTAGE selectable	EFFICACY lm/w
Flat	2	2.3	1000 / 1500 / 2000	10 / 15 / 20	100
	3	2.3	1500 / 2250 / 3000	15 / 20 / 30	100
	4	2.3	2000 / 3000 / 4000	20 / 30 / 40	100
	8	2.3	4000 / 6000 / 8000	40 / 60 / 80	100
Regressed	2	2.3	800 / 1200 / 1600	10 / 15 / 20	80
	3	2.3	1200 / 1800 / 2400	15 / 20 / 30	80
	4	2.3	1600 / 2400 / 3200	20 / 30 / 40	80
	8	2.3	3200 / 4800 / 6400	40 / 60 / 80	80

SEE ORDERING LOGIC ON PAGE 2





**ORDERING LOGIC**

EX: SUMMIT-23-R-2-FS2-FS-DF-D-BK-F

FAMILY	SIZE	MOUNTING	LENGTH	WATTAGE	CCT	LENS	DISTRIBUTION
<b>SUMMIT</b>	<b>23</b>	<b>R</b>			<b>FS</b>	<b>DF</b>	<b>D</b>
	23 2.3"	R Recessed	2 2'	<b>FS2</b> Field Selectable <small>10W / 15W / 20W</small>	<b>FS</b> Field Selectable <small>3000K / 3500K / 4000K</small>	<b>DF</b> Diffuser	<b>D</b> Direct
			3 3'	<b>FS3</b> Field Selectable <small>15W / 20W / 30W</small>			
			4 4'	<b>FS4</b> Field Selectable <small>20W / 30W / 40W</small>			
			8 8'	<b>FS8</b> Field Selectable <small>40W / 60W / 80W</small>			

FINISH	CEILING TYPE
<b>BK</b> Black	<b>F</b> 9/16" or 15/16" Flat
<b>WH</b> White	<b>S</b> 9/16" Slot
	<b>D</b> Drywall

**ACCESSORIES ORDERING LOGIC (ORDER SEPARATELY)**

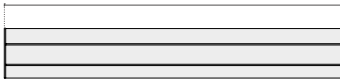
EX: SUMMIT-EM

FAMILY	ACCESSORIES
<b>SUMMIT</b>	
	<b>EM</b> 8W Emergency Battery

**DIMENSIONS**

2 FEET

23.70"



SIDE VIEW

W 2.34"

H 3.46"



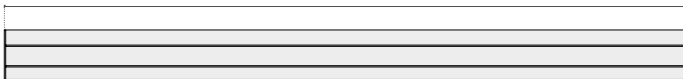
3 FEET

35.71"



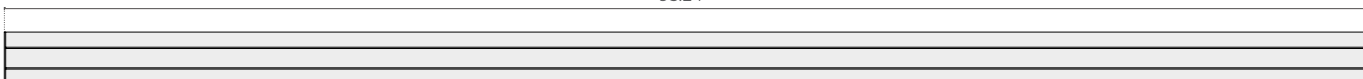
4 FEET

47.72"



8 FEET

95.24"



**SPECIFICATIONS**

**OPTICS**

Fully- uniform flat lens or regressed lens, provide uniform, low-glare illumination to create a clean, modern environment.

**FINISH**

Extruded aluminum housing with powder coat white or black.

**ELECTRICAL**

LED Driver: It is powered by Class 2 high efficiency LED driver, with a standard 0-10V dimming which works with many types of controls, 10% (provided standard), 1% (optional). Compatible with the following types of controls:

- Lutron @ Diva-Dvtv
- Leviton @ IP-710-DL

THD: <20%

Power Factor: >0.9

Input Voltage: Standard electronic drivers are cULus recognized and 110-277V (provided standard), 110~347V (optional).

**MOUNTING**

Recessed.

**LED SYSTEM**

CRI: Minimum 80 color rendering index

CCT: CCT adjustable from 3000K, 3500K and 4000K with a great color consistency.

LED: Life Minimum 50,000h with 87.8% of lumen maintenance in 25°C(77°F) ambient temperature, in compliance with IES LM-80 testing measurements.

Environment: Damp rated in operating ambient temperatures of -20°C to 40°C (-4°F to 104°F).

**APPROVALS**

cULus listed for damp locations

**WARRANTY**

5-year limited warranty

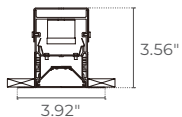
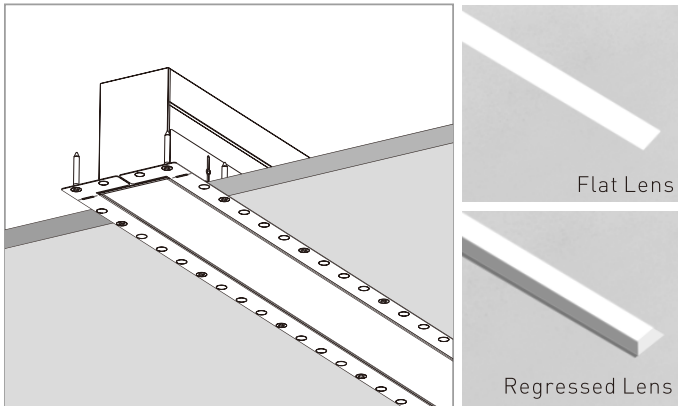
**OPTIONAL FUNCTION**

Emergency Option: Optional high voltage emergency LED driver can be provided. When AC power fails, it immediately switches to the emergency mode, operating for lighting up to 120 minutes. When AC power is restored, it automatically returns to the charging mode which meets critical life-safety lighting requirements.

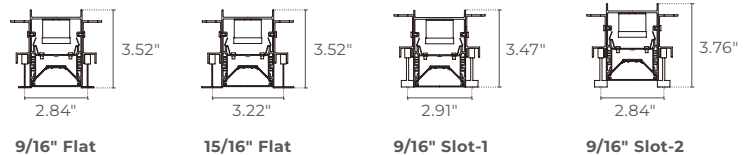
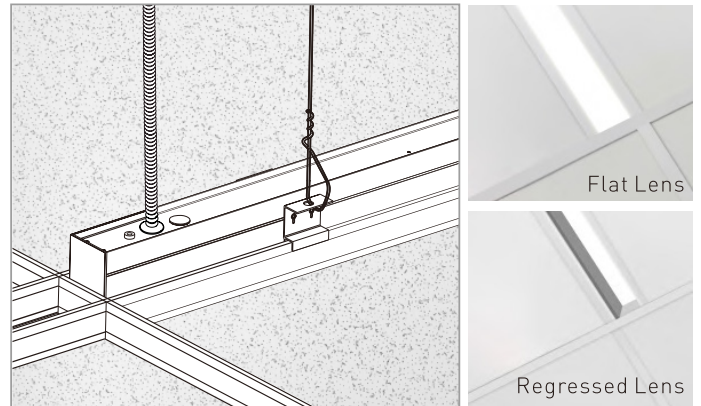
For more info or spec sheet, please visit our website or contact sales.

**MOUNTING**

**IN DRYWALL CEILING**

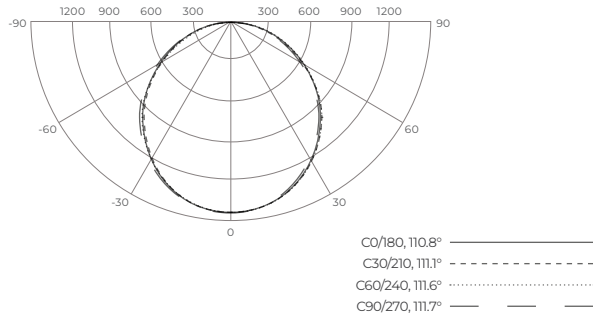


**IN GRID CEILING**



**PHOTOMETRICS - 4' - FLAT LENS - 3500K -39.05W**

AVERAGE BEAM ANGLE (50%): 111.3°


**Luminance cd/(m2)**

G(DEC)	C0/180	C90/270
85	10884	8777
80	13119	11617
75	14803	13683
70	16064	15274
65	16980	16310
60	17655	17084
55	18170	17649
50	18591	18090
45	18924	18435

**ZONAL FLUX  
 DIAGRAM**

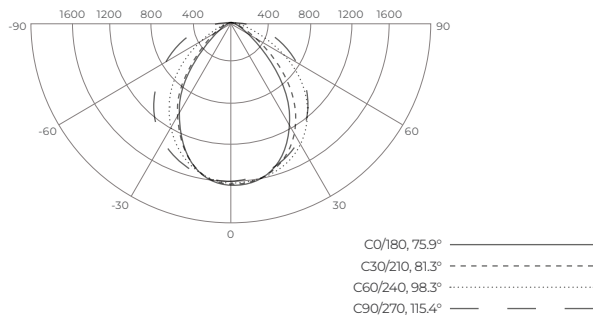
T	C0	C45	C90	C135	C180
10°	1418	1421	1412	1398	1411
20°	1340	1346	1331	1303	1327
30°	1215	1225	1204	1164	1195
40°	1049	1064	1038	988.4	1026
50°	852.4	870.0	840.6	783.6	826.6
60°	629.7	649.8	617.5	555.5	603.1
70°	391.9	412.3	377.6	316.3	365.5
80°	162.5	178.2	145.8	98.44	139.5
90°	2.417	8.146	0.2768	0.4688	0.9405
100°	0.5822	0.5917	0.6472	0.7610	0.6802
110°	1.012	1.048	1.172	1.246	1.138
120°	1.530	1.577	1.753	1.778	1.633
130°	2.021	2.104	2.307	2.298	2.124
140°	2.524	2.612	2.799	2.780	2.595
150°	3.936	3.052	3.178	3.148	3.016
160°	3.376	3.422	3.497	3.478	3.442
170°	3.769	3.686	3.712	3.724	3.716
180°	3.894	3.751	3.759	3.755	3.904
DEG	LUMINOUS INTENSITY: cd				

**ZONAL LUMEN  
 SUMMARY**

T	Φ TOTAL
0-10	136.4
10-20	526.2
20-30	1115
30-40	1822
40-50	2553
50-60	3211
60-70	3708
70-80	3986
80-90	4058
90-100	4059
100-110	4060
110-120	4061
120-130	4063
130-140	4064
140-150	4066
150-160	4068
160-170	4069
170-180	4069
	UNIT: lm

**PHOTOMETRICS - 4' - REGRESSED LENS - 3500K - 39.18W**

AVERAGE BEAM ANGLE (50%): 92.7°


**Luminance cd/(m2)**

G(DEC)	C0/180	C90/270
85	91	14627
80	90	16749
75	110	18232
70	146	19198
65	212	19878
60	1692	20373
55	4751	20732
50	8259	21002
45	11457	21208

**ZONAL FLUX  
 DIAGRAM**

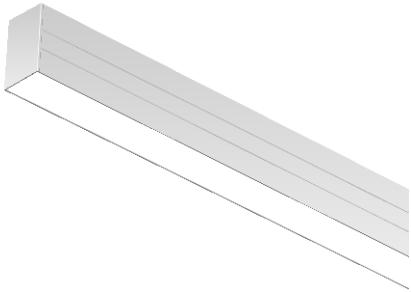
T	C0	C45	C90	C135	C180
10°	1583	1593	1552	1494	1546
20°	1434	1513	1475	1304	1347
30°	1163	1339	1349	1044	1044
40°	790.0	1073	1178	714.1	652.8
50°	382.2	734.4	972.0	357.8	253.6
60°	60.93	354.3	733.4	66.49	9.481
70°	3.607	50.38	472.8	3.429	1.964
80°	1.129	3.391	209.4	1.111	0.5673
90°	0.2172	0.8545	0.4901	0.1488	0.1127
100°	0.1263	0.1488	0.6813	0.2888	0.1309
110°	0.1532	0.3044	1.232	0.7484	0.2482
120°	0.4461	0.7326	1.867	1.429	0.6274
130°	1.000	1.326	2.485	2.185	1.259
140°	1.740	2.047	2.990	2.888	2.048
150°	2.579	2.800	3.400	3.436	2.864
160°	3.454	3.432	3.725	3.853	3.604
170°	4.080	3.887	3.937	4.115	4.176
180°	4.329	4.088	3.973	4.031	4.324
DEG	LUMINOUS INTENSITY: cd				

**ZONAL LUMEN  
 SUMMARY**

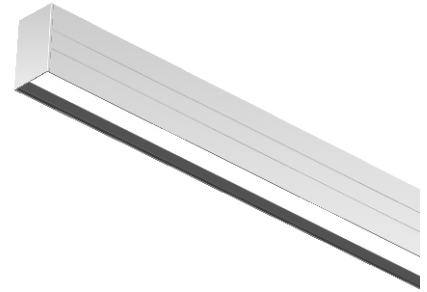
T	Φ TOTAL
0-10	150.3
10-20	574.1
20-30	1189
30-40	1871
40-50	2474
50-60	2884
60-70	3092
70-80	3165
80-90	3176
90-100	3176
100-110	3177
110-120	3178
120-130	3179
130-140	3180
140-150	3182
150-160	3184
160-170	3185
170-180	3185
	UNIT: lm



ADDITIONAL IMAGERY



Flat Lens



Regressed Lens

