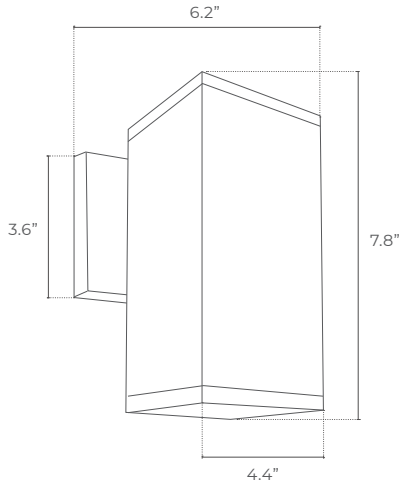


PROJECT _____ DATE _____

COMMENTS _____



SWC SQUARE WALL CYLINDER LED DIRECT

The SWC Series is an outdoor decorative, square, high output wall mount fixture with direct LED light distribution.

- Residential
- Commercial
- Hospitality

PHYSICAL

Material	Die-Cast Aluminum Housing
Mounting	Wall Mount
Lens	Tampered Glass
Finish	Power Coated: Black Bronze or White
CCT	3000K, 3500K, 4000K
CRI	80+
Beam Angle	120°

PERFORMANCE

Warranty	5 years
Certifications	Wet Location, ETL, CE, ROHS Compliant
IP Rating	IP65
Rated Life	L90 50,000 hours
Operating Temperature	-15°C to 45°C (5°F to 113°F)

ELECTRICAL

Wattage	9W
Voltage	120V
Power Factor	300M24-54V

ENERGY CHART

SIZE	HEIGHT inches	WIDTH inches	LUMENS	WATTAGE	EFFICACY lm/w
7	7.8	4.4	700	9	77.8

ORDERING LOGIC

EX: SWC-30-BK

FAMILY	CCT	FINISH
SWC		
	30 3000K	BK Black
	35 3500K	BZ Bronze
	40 4000K	WH White