

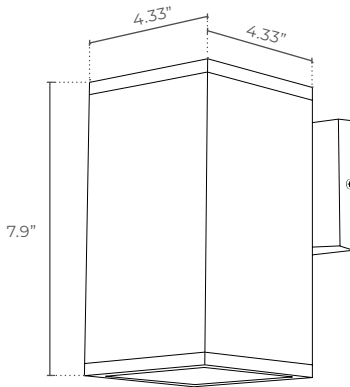
# SWC-QS SQUARE WALL CYLINDER LED DIRECT QUICK SHIP

The SWC-QS Series is an outdoor decorative, square, high output wall mount fixture with direct LED light distribution.

- Residential
- Commercial
- Hospitality

PROJECT \_\_\_\_\_ DATE \_\_\_\_\_

COMMENTS \_\_\_\_\_



## PHYSICAL

Material	Die-Cast Aluminum Housing
Mounting	Wall Mount (Can be mounted direct or indirect)
Lens	Tempered Glass
Finish	Power Coated: Matte Black

## PERFORMANCE

Warranty	3 years
Certifications	ETL, cETL, FCC, ICES
IP Rating	IP65
Rated Life	30,000 hours
Operating Temperature	-4°F to 104°F (-20°C to 40°C)
CCT	Field Selectable: 2700K/3000K/3500K/4000K/5000K
CRI	80+
Beam Angle	60°

## ELECTRICAL

Wattage	15W
Voltage	100-277V
Power Factor	>0.95
Dusk to Dawn Sensor	Yes

## ENERGY CHART

HEIGHT inches	WIDTH inches	DELIVERED LUMENS	WATTAGE	EFFICACY lm/w
7.9	4.33	1300	15	86.7

## ORDERING LOGIC

EX: SWC-QS-BK

FAMILY	FINISH
<b>SWC-QS</b>	<b>BK</b>
	<b>BK</b> Black

