

PROJECT DATE

COMMENTS



IN STOCK



ENERGY CHART

SIZE feet	DELIVERED LUMENS	WATTAGE	EFFICACY lm/w
2x2	2500	20	125
	3750	30	125
	5000	40	125
2x4	3750	30	125
	5000	40	125
	6250	50	125

ORDERING LOGIC EX: TCB-22

FAMILY	SIZE	OPTIONS
TCB		
	22 2x2	EM Emergency Backup: 90 minutes
	24 2x4	OS Occupancy Sensor

TCB TROFFER CENTER BASKET LED

The TCB Series is a CCT and wattage selectable volumetric troffer, available in 2x2 and 2x4 configurations. TCB is ideal for new construction or retrofit applications and can be recessed, suspended via chain or surface mounted. TCB is suitable for damp locations.

- Hospitality
- Commercial
- Indoor

PHYSICAL

Material	0.6mm Cold-Rolled Steel Body
Mounting	Recessed, Chain or Surface
Lens	Polycarbonate Diffuser
Finish	White Matte Powder Coat

PERFORMANCE

Warranty	5 years
Certifications	Damp Location, UL, RoHS Compliant
Rated Life	L70 50,000 hours
Operating Temperature	-30°C to 40°C (-22°F to 104°F)
CCT	Field Selectable 4CCT: 3000K, 3500K, 4000K, 5000K <small>4000K STANDARD FACTORY SETTING</small>
CRI	80+

ELECTRICAL

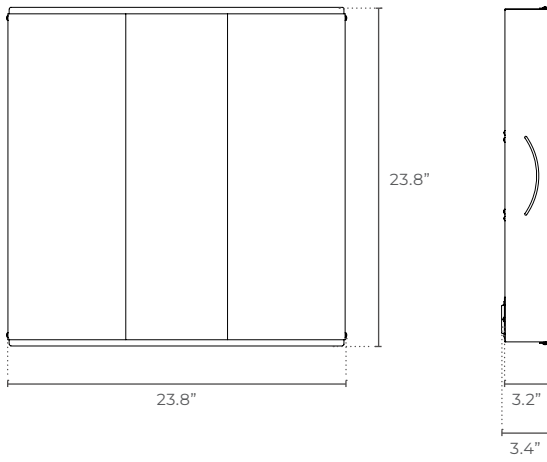
Wattage	2x2 Field Selectable: 20W/30W/40W 2x4 Field Selectable: 30W/40W/50W
Voltage	120-277V
Dimmable	0-10V

ACCESSORIES ORDERING LOGIC (ORDER SEPARATELY) EX: TCB-SMK22

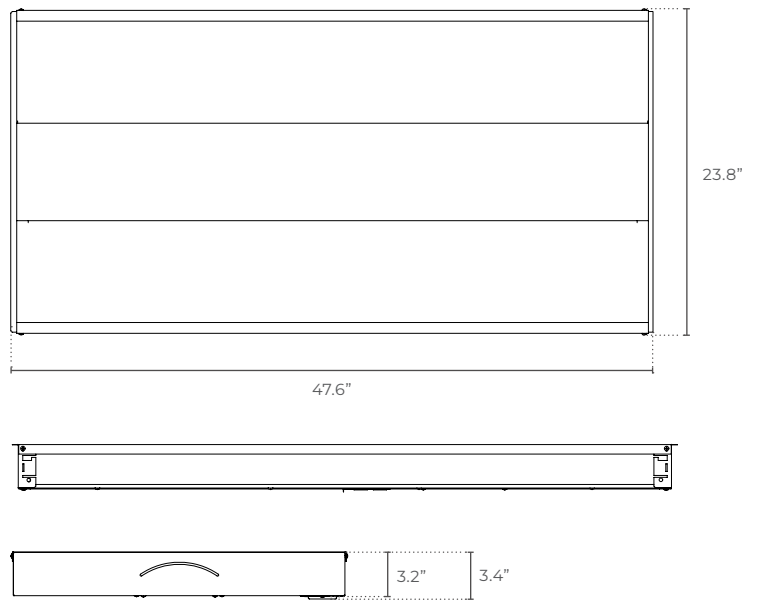
FAMILY	ACCESSORIES
TCB	
	SMK22 2x2 Surface Mount Kit
	SMK24 2x4 Surface Mount Kit
	CMK Chain Mount Kit
	RC Remote Control for Occupancy Sensor

DIMENSIONS

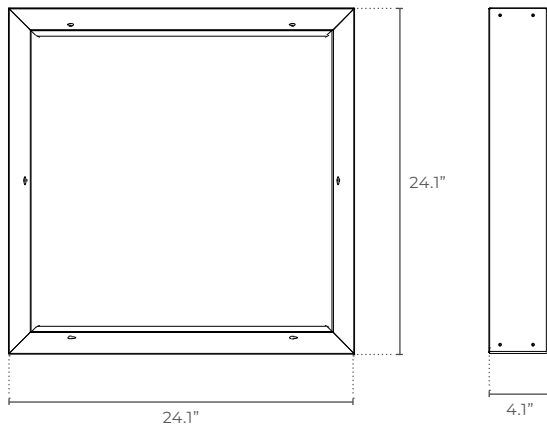
2X2



2X4



2X2 SURFACE MOUNT KIT



2X4 SURFACE MOUNT KIT

