

PROJECT DATE

COMMENTS



IN STOCK



ENERGY CHART

SPEED SETTING	LOW	MEDIUM	HIGH
RPM	88	129	166
Amps	0.31	0.38	0.42
Wattage	17.4	31.7	49.6
CFM	1400	2800	4100
CFM/Watts	80.5	88.3	82.7

HOUSING FINISH



THRUSH CEILING FAN E26 LED

The Thrush 52-inch modern ceiling fan offers three blades and multiple finish options and includes two 9W LED-E26 lamps.

- Residential
- Commercial
- Hospitality

PHYSICAL

Material	Metal
Blade Material	3 Plywood Blades
Mounting	Ceiling Mount
Fan Diameter	52"
Source	2x LED-E26 (Included)
Housing Finish	See Options Below
Blade Finish	See Options Below
Sloped Ceiling Accommodation	5°

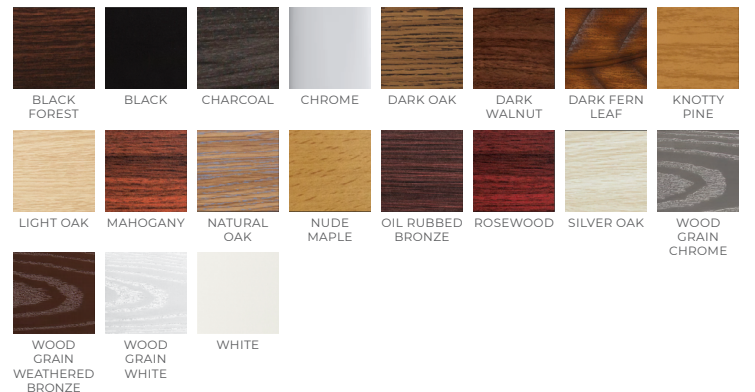
PERFORMANCE

Warranty	10 years for motor, 2 years for light kit, blade, housing, and cap
Certifications	Dry Location, UL
CCT	3000K
Dimmable	Yes
Features	Low Noise
Reversible	Yes

ELECTRICAL

Wattage	60W / 9W Maximum per Socket
Voltage	120V
Motor	AC Motor
Controls	3-Speed Remote Control or 3-Speed Wall Control

BLADE FINISH

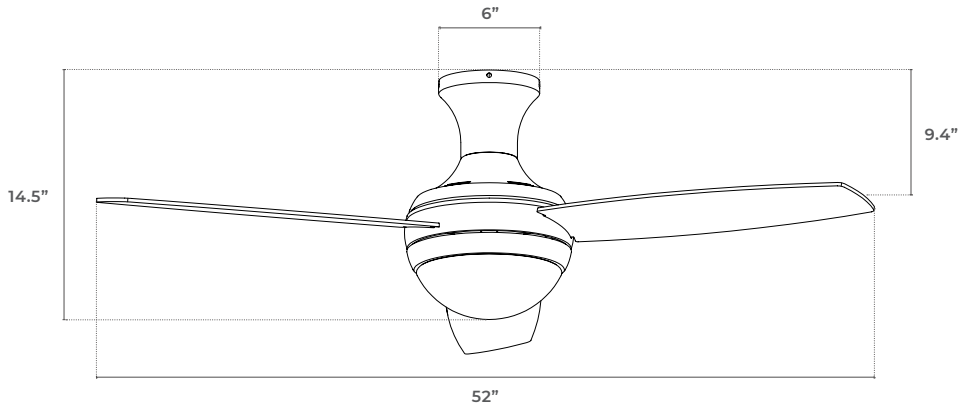


ORDERING LOGIC

EX: THRUSH-3RC-MB-BF

FAMILY	CONTROL	HOUSING FINISH	BLADE FINISH
THRUSH			
	3RC 3-Speed Remote Control	MB Matte Black	BF Black Forest
	3WC 3-Speed Wall Control	ORB Oil-Rubbed Bronze	BK Black
		PB Polished Brass	CL Charcoal
		SN Satin Nickel	CH Chrome
		SS Stainless Steel	DO Dark Oak
		WH White	DW Dark Walnut
			DF Dark Fern Leaf
			KP Knotty Pine
			LO Light Oak
			MH Mahogany
			NO Natural Oak
			NM Nude Maple
			ORB Oil-Rubbed Bronze
			RW Rosewood
			SO Silver Oak
			WGC Wood Grain Chrome
			WGWB Wood Grain Weathered Bronze
			WGW Wood Grain White
			WH White

DIMENSIONS



WALL SWITCH

