

PROJECT _____ DATE _____

COMMENTS _____



ENERGY CHART

NOMINAL SIZE	TOTAL DIAMETER inches	HEIGHT inches	DELIVERED LUMENS	WATTAGE	EFFICACY lm/w
3L	3.4	4.3	680	8	85
3H	3.4	4.3	1275	15	85
4L	4.4	5.1	1700	20	85
4H	4.4	5.1	2550	30	85
5	5.1	6.0	3499	40	85
6	6.3	5.5	4250	50	85
7	6.9	6.3	4675	55	85

TREK DESIGNER DOWNLIGHT LED

The Trek series is an LED downlight intended for new construction applications. Trek is recessed into ceilings with spring clips or a new construction mounting plate and it is IP44 rated and Energy Star listed. Trek is available with darklight technology.

- Residential
- Commercial
- Hospitality

PHYSICAL

Housing Material	Aluminum
Reflector Material	Polycarbonate
Mounting	Recessed
Housing/Trim Finish	White
Reflector Finish	Black (Darklight), Gold, Silver, White

PERFORMANCE

Warranty	5 years
Certifications	CETL
IP Rating	IP44
Rated Life	L70 50,000 hours
Operating Temperature	-20°C to 40°C (-4°F to 104°F)
Adjustability	Max Tilt Angle: 15° / Horizontal Rotation Angle: 315°
CCT	2700K, 3000K, 3500K, 4000K, 5000K
CRI	90+
Beam Angle	15°, 24°, 38°

ELECTRICAL

Wattage	8W, 15W, 20W, 30W, 40W, 50W, 55W
Voltage	100-277V
Power Factor	>0.9
Dimmable	Triac or 0-10V

ORDERING LOGIC

EX: TREK-1-27-ND-15-BK

FAMILY	NOMINAL SIZE	CCT	DIMMING	BEAM ANGLE	REFLECTOR FINISH	OPTIONS
TREK						
	3L 3", 8W	27 2700K	ND Non-Dimming	15 15°	BK Black (Darklight)	NC* New Construction Mounting Plate
	3H 3", 15W	30 3000K	TR Triac	24 24°	GD Gold	
	4L 4", 20W	35 3500K	010 0-10V	38 38°	SL Silver	
	4H 4", 30W	40 4000K			WH White	
	5 5", 40W	50 5000K				
	6 6", 50W					
	7 7", 55W					

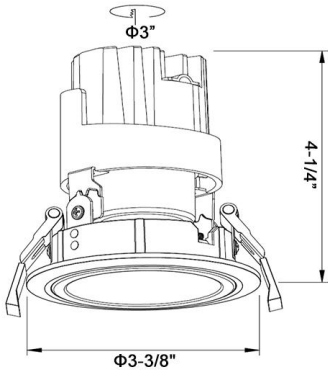
ORDERING NOTES

* Only available with TREK-3L, TREK-3H, TREK-4L, and TREK-4H nominal size options.

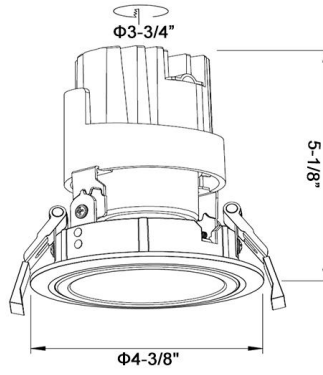


DIMENSIONS

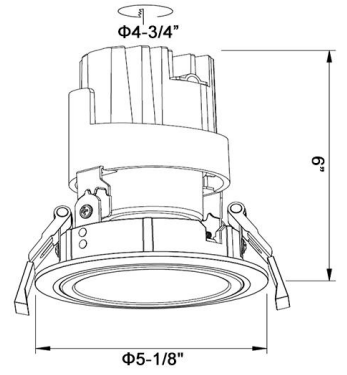
Size 1 & 2



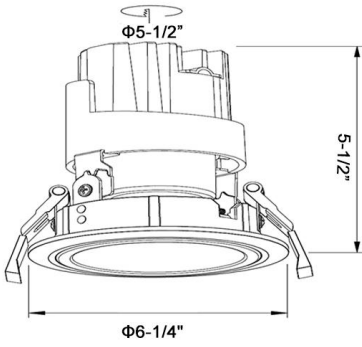
Size 3 & 4



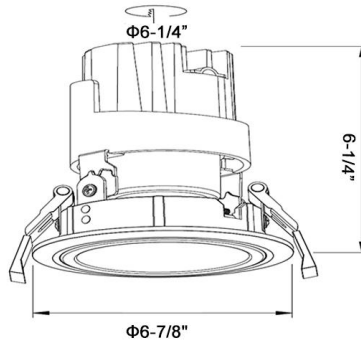
Size 5



Size 6



Size 7



REFLECTOR FINISH OPTIONS

Black



Gold



Silver



White

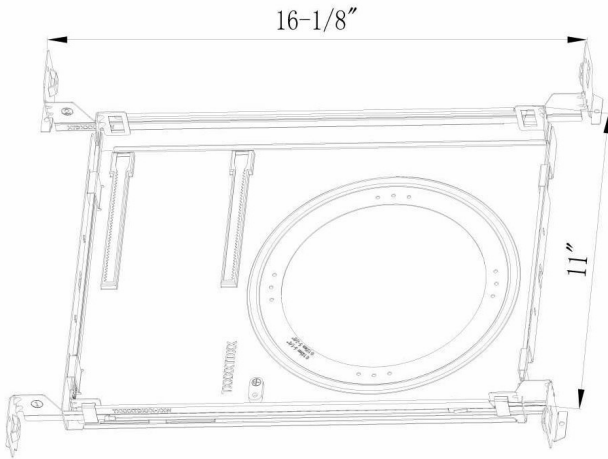




NEW CONSTRUCTION MOUNTING PLATE



MINIMUM



MAXIMUM

