

PROJECT DATE

COMMENTS



UCR UNDER CABINET ROTATABLE LED

The UCR series is a rotatable 120V under cabinet LED luminaire intended for kitchen installations with its low profile 0.7" tall housing made from durable extruded aluminum that provides excellent heat dissipation. Standard UCR features include a field selectable CCT slider switch with 3 color temperature options, linking capability up to 200W from a single power feed, and smooth dimming to 10%. UCR is provided with a 120V plug for easy installation but it can be made hardwire upon request.

- Kitchen
- Bar
- Shelving

PHYSICAL

Material	Aluminum Housing
Lens Material	Polycarbonate
Mounting	Surface
Source	LED
Finish	White

PERFORMANCE

Warranty	3 years
Certifications	cETLus, Title 24, JA8 Compliant
Rated Life	L70 > 35,000 hours
Operating Temperature	-30°C ~ 40°C (-22°F to +104°F)
CCT	Field Selectable: 3000K/4000K/5000K
CRI	90+

ENERGY CHART

SIZE	HEIGHT inches	WIDTH inches	DELIVERED LUMENS	WATTAGE	EFFICACY lm/w
10	0.65	2.7	300	5	60
20	0.65	2.7	600	10	60
30	0.65	2.7	900	15	60
36	0.65	2.7	1200	20	60

ELECTRICAL

Wattage	5W, 10W, 15W, 20W
Voltage	120V
Dimmable	100-10% Triac Dimming

ORDERING LOGIC

EX: UCR-10-FS

FAMILY	SIZE	CCT
UCR		FS
	10 10"	FS Field Selectable 3000K / 4000K / 5000K
	20 20"	
	30 30"	
	36 36"	

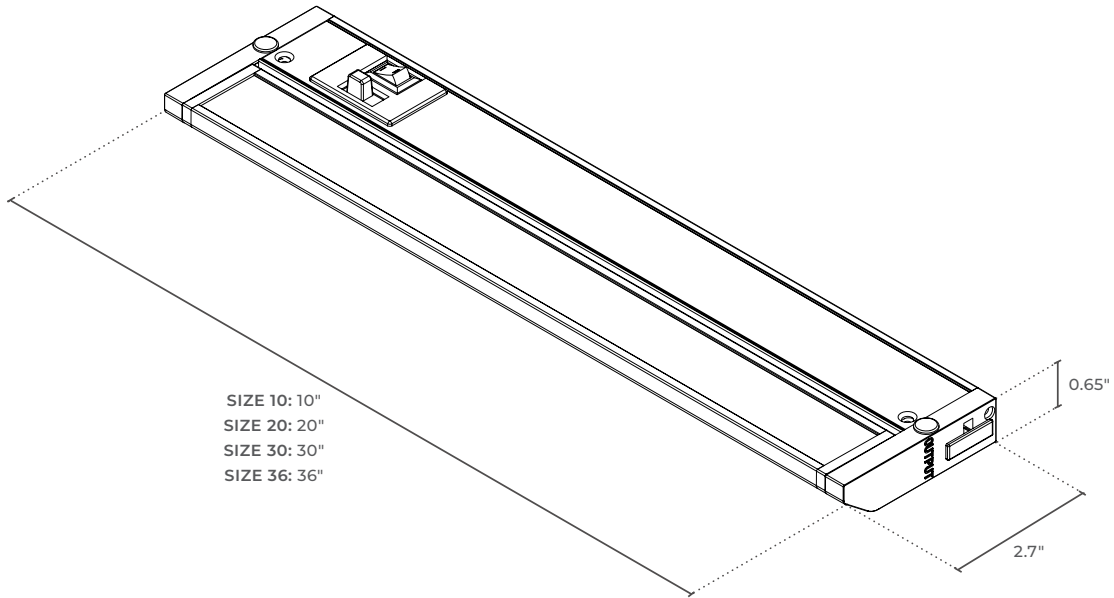
ACCESSORIES ORDERING LOGIC (ORDER SEPARATELY)

EX: UCR-PC

FAMILY	ACCESSORIES
UCR	
	PC 6ft Power Cord
	JB Junction Box
	6JC 6" White Jumper Cord
	12JC 12" White Jumper Cord
	24JC 24" White Jumper Cord
	36JC 36" White Jumper Cord
	72JC 72" White Jumper Cord



DIMENSIONS



ACCESSORIES

JB Junction Box



PC 6ft Power Cord



JC White Jumper Cable
(Available in 6", 12", 24" 36", or 72" length)

