

PROJECT \_\_\_\_\_ DATE \_\_\_\_\_

COMMENTS \_\_\_\_\_



**IN STOCK**



**ENERGY CHART**

SIZE	LENGTH inches	HEIGHT inches	DELIVERED LUMENS	WATTAGE	EFFICACY lm/w
12	12	3.5	368	5	73.6
24	24	3.5	675	9	75
33	33	3.5	1050	14	75

**UCS-QS UNDER CABINET SELECTABLE LED QUICK SHIP**

UCS-QS is a color selectable undercabinet luminaire that is Damp Location, FCC, Title 24 qualified, and Energy Star certified. The galvanized steel housing provides excellent heat dissipation and easy installation with conduit knockouts and rocker switches for power and CCT.

- Kitchen
- Bar
- Shelving

**PHYSICAL**

Material	Steel
Lens Material	Polycarbonate
Mounting	Surface
Finish	White

**PERFORMANCE**

Warranty	5 years
Certifications	UL, FCC, RoHS, Energy Star, Damp Location
Rated Life	L70 50,000 hours
Operating Temperature	-30°C to 45°C (-22°F to 113°F)
CCT	Field Selectable: 3000K & 4000K
CRI	90
Beam Angle	117°

**ELECTRICAL**

Wattage	5W, 9W, 14W
Voltage	120V
Power Factor	0.9
Dimmable	Yes

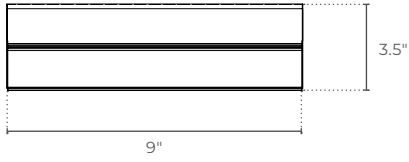
**ORDERING LOGIC**

EX: UCS-QS-12

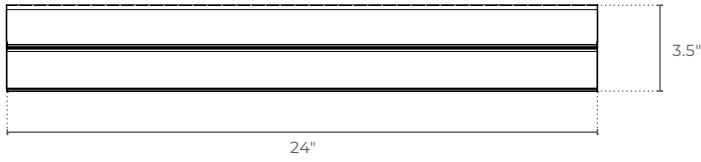
FAMILY	SIZE
<b>UCS-QS</b>	
	<b>12</b> 12" / 5W
	<b>24</b> 24" / 9W
	<b>33</b> 33" / 14W

**DIMENSIONS**

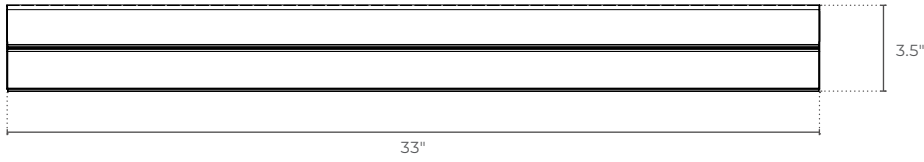
UCS-QS-12



UCS-QS-24



UCS-QS-33



**FIELD SELECTABLE CCT SWITCH**



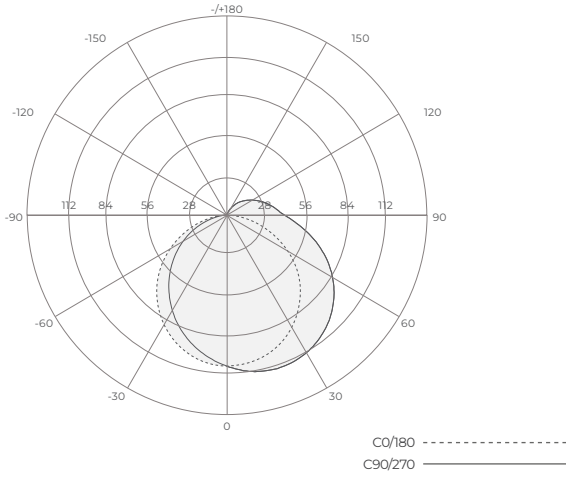
CCT SWITCH

**ADDITIONAL IMAGERY**



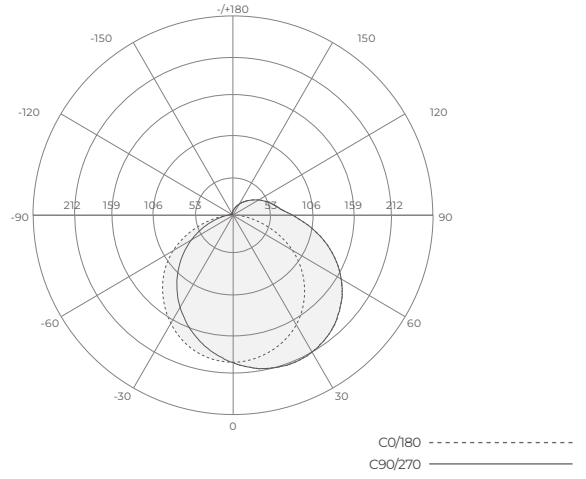
**PHOTOMETRICS - UCS-QS-12 - 5W**

AVERAGE BEAM ANGLE (50%): 117.3°



**PHOTOMETRICS - UCS-QS-24 - 9W**

AVERAGE BEAM ANGLE (50%): 118.1°



**PHOTOMETRICS - UCS-QS-33 - 14W**

AVERAGE BEAM ANGLE (50%): 115.2°

