

PROJECT \_\_\_\_\_ DATE \_\_\_\_\_

COMMENTS \_\_\_\_\_



### ENERGY CHART

SIZE	HEIGHT inches	WIDTH inches	DELIVERED LUMENS	WATTAGE	EFFICACY lm/w
10	0.65	2.7	300	5	60
20	0.65	2.7	600	10	60
24	0.65	2.7	720	12	60
30	0.65	2.7	900	15	60
36	0.65	2.7	1200	20	60

### ORDERING LOGIC

EX: UCT-10-30

FAMILY	SIZE	CCT
<b>UCT</b>		<b>30</b>
	<b>10</b> 10"	<b>30</b> 3000K
	<b>20</b> 20"	
	<b>24</b> 24"	
	<b>30</b> 30"	
	<b>36</b> 36"	

## UCT UNDER CABINET THIN LED

The UCT series is a versatile 120V under cabinet LED luminaire intended for kitchen installations with its low profile 0.65" tall housing made from durable extruded aluminum that provides excellent heat dissipation. Standard UCT features include a hi/low rocker switch for 100% and 50% brightness, DOB design, and smooth dimming to 10%. UCT is provided with a 120V plug for easy installation but it can be made hardwire upon request.

- Kitchen
- Bar
- Shelving

### PHYSICAL

Material	Aluminum Housing
Lens Material	Polycarbonate
Mounting	Surface
Source	LED
Finish	White

### PERFORMANCE

Warranty	3 years
Certifications	cETLus, Title 24, JA8 Compliant
Rated Life	L70 > 35,000 hours
Operating Temperature	-30°C ~ 40°C (-22°F to +104°F)
CCT	3000K
CRI	90+

### ELECTRICAL

Wattage	5W, 10W, 12W, 15W, 20W
Voltage	120V
Dimmable	100-10% Triac Dimming

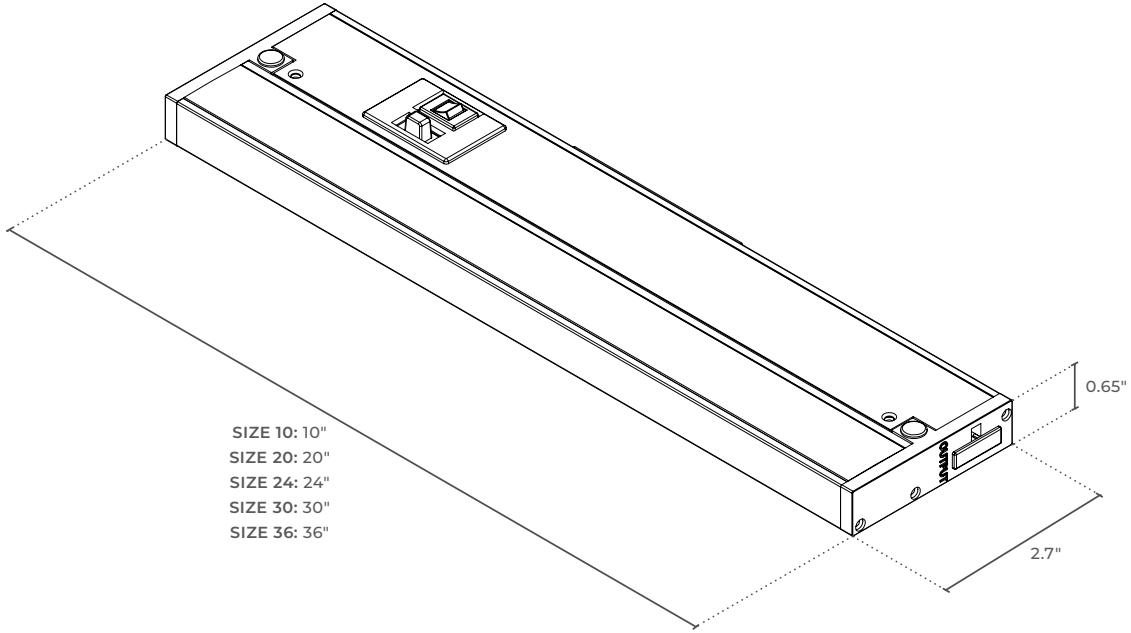
### ACCESSORIES ORDERING LOGIC (ORDER SEPARATELY)

EX: UCT-PC

FAMILY	ACCESSORIES
<b>UCT</b>	
	<b>PC</b> 6ft Power Cord
	<b>JB</b> Junction Box
	<b>6JC</b> 6" White Jumper Cord
	<b>12JC</b> 12" White Jumper Cord
	<b>24JC</b> 24" White Jumper Cord
	<b>36JC</b> 36" White Jumper Cord
	<b>72JC</b> 72" White Jumper Cord



**DIMENSIONS**



**ACCESSORIES**

**JB Junction Box**



**PC 6ft Power Cord**



**JC White Jumper Cable**  
(Available in 6", 12", 24" 36", or 72" length)



**ADDITIONAL IMAGERY**

