

PROJECT DATE

COMMENTS



RoHS Compliant



ENERGY CHART
at 3000K (more info on page 2)

HEIGHT inches	LENGTH inches	DEPTH inches	DELIVERED LUMENS	WATTAGE	EFFICACY lm/w
6.3	11.8	12.2	5400	50	108
			10600	100	106

WPRO WALL PACK ROADWAY OPTICS LED

The WPRO series is a modern high-performance, high-efficiency LED wall pack that is DLC Certified and Wet Location listed with multiple roadway optical distributions. The aluminum housing is finished with a 3-mil resilient powder coat that is resistant to corrosion, UV degradation, and weathering. It is ideal for replacing 250-400W metal halide with typical energy savings of 75% and exceptional rated life of 100,000 hours or more. WPRO can be ordered with a daylight sensor or motion sensor.

- Pathway
- Underpasses
- Perimeter / Area Lighting

PHYSICAL

Material	Die-Cast Aluminum
Mounting	Wall Mounted (Universal mounting bracket for 4" round or square junction boxes)
Lens	Precision Molded Acrylic
Finish	Bronze, Black, White, Gray

PERFORMANCE

Warranty	5 years
Certifications	Wet Location, cULus, FCC, DLC, RoHS Compliant
Operating Temperature	-40°C to 50°C (-40°F to 122°F)
CCT	3000K, 4000K, 5000K
CRI	70+
THD	< 12% at full load

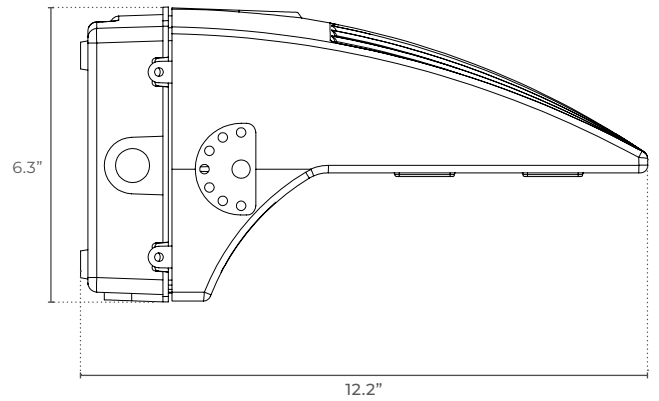
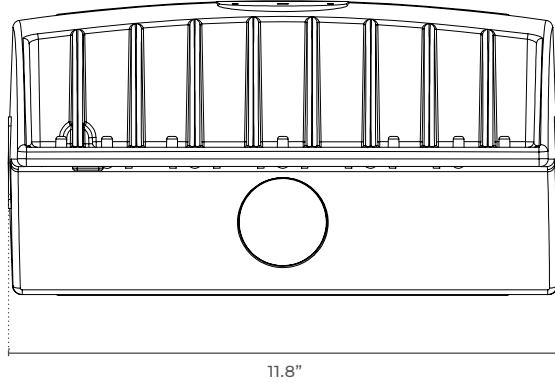
ELECTRICAL

Wattage	50W, 100W
Voltage	120-277V, 50/60Hz
Power Factor	> 0.9 at full load
Dimmable	0-10V
Surge Protection	Integral 2.5kV surge suppression protection (Standard), 10kV (Optional), Tested According to IEEE/ANSI C62.41.2

ORDERING LOGIC

EX: WPRO-50-2-BZ

FAMILY	WATTAGE	CCT	DISTRIBUTION	FINISH	OPTIONS
WPRO					
	50 50W	30 3000K	2 Type 2	BZ Bronze	DS Daylight Sensor
	100 100W	40 4000K	3 Type 3	BK Black	MS Motion Sensor
		50 5000K	4 Type 4	WH White	10KV 10kV Surge Suppression
				GR Gray	

DIMENSIONS

PERFORMANCE DATA

Lumen values are from photometric tests performed in accordance with IESNA LM-79-08. Data is considered to be representative of the configurations shown, within the tolerances allowed by Lighting Facts. Actual performance may differ as a result of enduser environment and application. Actual wattage may differ by +/- 10% when operating between 120-277V +/- 10%. Contact factory for performance data on any configurations not shown here.

MODEL	LEDS	LED CURRENT	RATED WATTS	30K (3000K, 70CRI)					40K (4000K, 70CRI)					50K (5000K, 70CRI)				
				LUMENS	B	U	G	LPW	LUMENS	B	U	G	LPW	LUMENS	B	U	G	LPW
WPRO-50	16	150mA	50W	5400	1	0	1	108	5700	1	0	1	114	5700	2	0	2	114
WPRO-100	32	150mA	100W	10600	2	0	2	106	11200	2	0	2	112	11200	2	0	2	112

LUMINAIRE LUMEN MAINTENANCE FACTORS (LMF)

Data references the extrapolated performance projections for the platforms noted in a 25°C ambient, based on 6,000 hours of LED testing (tested per IESNA LM-80-08 and projected per IESNA TM-21-11). To calculate LLF, use the lumen maintenance factor that corresponds to the desired number of operating hours below. For other lumen maintenance values, contact factory.

OPERATING HOURS	0	25000	50000	75000	100000
LUMEN MAINTENANCE FACTOR	WPRO-50 16 LED 150mA				
	100%	96%	92%	88%	84%
	WPRO-100 32 LED 150mA				
	100%	96%	92%	88%	84%

ELECTRICAL DATA

MODEL	LEDS	LED CURRENT	SYSTEM WATTS	CURRENT		
				120V	240V	277V
WPRO-50	16	150mA	50W	0.42	0.21	0.19
WPRO-100	32	150mA	100W	0.84	0.42	0.37

LUMEN AMBIENT TEMPERATURE (LAT) MULTIPLIERS

AMBIENT		LUMEN MULTIPLIER
0°C	32°F	1.02
10°C	50°F	1.01
20°C	68°F	1.00
25°C	77°F	1.00
30°C	86°F	1.00
40°C	104°F	0.99

ADDITIONAL IMAGERY

