

PROJECT  DATE

COMMENTS



IN STOCK



WPSC-QS is an IP65 semi cutoff LED wall pack with a heavy duty die cast aluminum housing, PC lens, and convenient mounting clips for quick installation and easy maintenance. WPSC-QS is ideal for a wide range of wall mount applications with universal voltage, field selectable wattage, field selectable CCT and it can replace 100-250W metal halide and high pressure sodium fixtures.

- Parking Lots
- Underpasses
- Perimeter / Area Lighting

#### PHYSICAL

Material	Die-Cast Aluminum
Mounting	Wall Mount
Lens	PC
Finish	Bronze
Source	Lumileds LEDs

#### PERFORMANCE

Warranty	5 years
Certifications	ETL, DLC
IP Rating	IP65
Rated Life	L70 50,000 hours
Operating Temperature	-36°C to 60°C (-32.8°F to 140°F)
CCT	Field Selectable: 3500K/4000K/5000K
CRI	72
Beam Angle	120°

#### ENERGY CHART

HEIGHT inches	LENGTH inches	DEPTH inches	DELIVERED LUMENS	WATTAGE	EFFICACY lm/w	VOLTAGE/CURRENT INPUT	
						120V	277V
9.154	18.287	9.375	7800	60	130	0.50A	0.21A
9.154	18.287	9.375	10400	80	130	0.66A	0.28A
9.154	18.287	9.375	13000	100	130	0.83A	0.36A
9.154	18.287	9.375	15600	120	130	0.99A	0.43A

#### ELECTRICAL

Wattage	60W, 80W, 100W, 120W
Voltage	120-277V
Power Factor	0.9

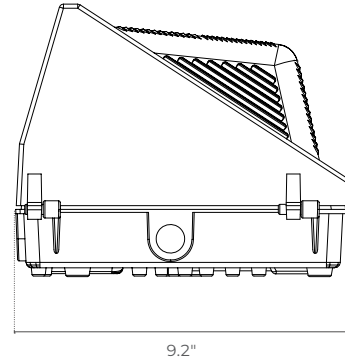
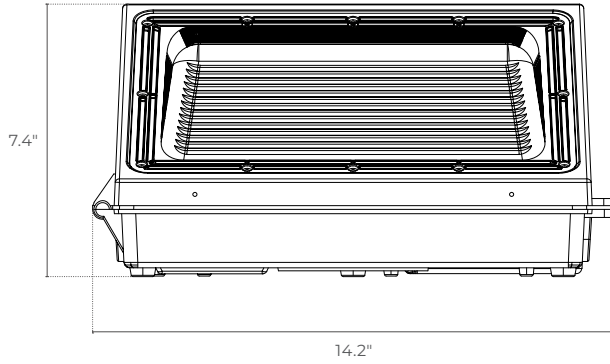
#### ORDERING LOGIC

EX: WPSC-QS-BZ

FAMILY	FINISH
WPSC-QS	BZ
	BZ Bronze

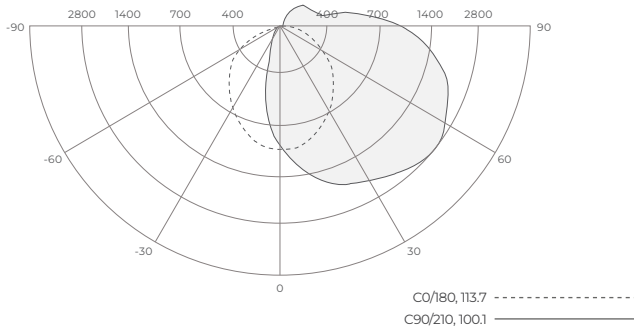


**DIMENSIONS**



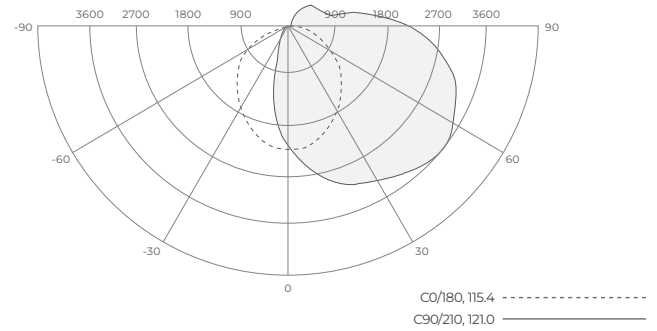
**PHOTOMETRICS - WPSC-QS-60W**

**AVERAGE BEAM ANGLE (50%): 118.3°**



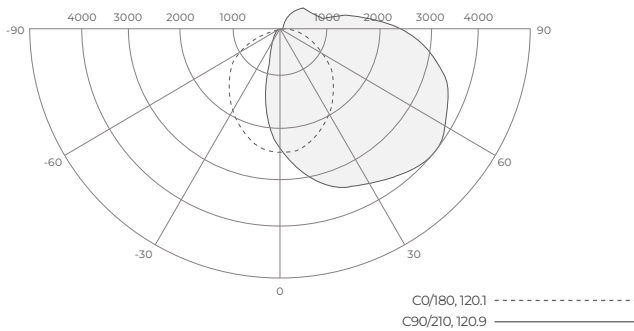
**PHOTOMETRICS - WPSC-QS-80W**

**AVERAGE BEAM ANGLE (50%): 119.2°**



**PHOTOMETRICS - WPSC-QS-100W**

**AVERAGE BEAM ANGLE (50%): 120.9°**



**PHOTOMETRICS - WPSC-QS-120W**

**AVERAGE BEAM ANGLE (50%): 119.7°**

