

PROJECT _____ DATE _____

COMMENTS _____



XFMR LOW VOLTAGE TRANSFORMER

The XFMR Series is a durable, stainless steel low-voltage transformer available in 100W, 200W, and 300W models. Designed for 120V input and dual 12VAC/15VAC output, it includes built-in over-current and over-temperature protection for safe and reliable operation. A built-in photocell sensor and selectable timer settings (1-8 hours) offer flexible control for landscape lighting. ETL-listed and IP44-rated, XFMR is ideal for outdoor installations requiring performance, protection, and convenience.

PHYSICAL

Material	Stainless Steel
----------	-----------------

PERFORMANCE

Warranty	5 years
Certifications	ETL
IP Rating	IP44
Time Settings	1 hour, 2 hour, 4 hour, 6 hour, 8 hour
Photocell Sensor	Yes

ELECTRICAL

Wattage	100W, 200W, 300W
Input Voltage	120V 60Hz
Output Voltage	12VAC
Over Current Protection	Yes
Over Temperature Protection	Yes

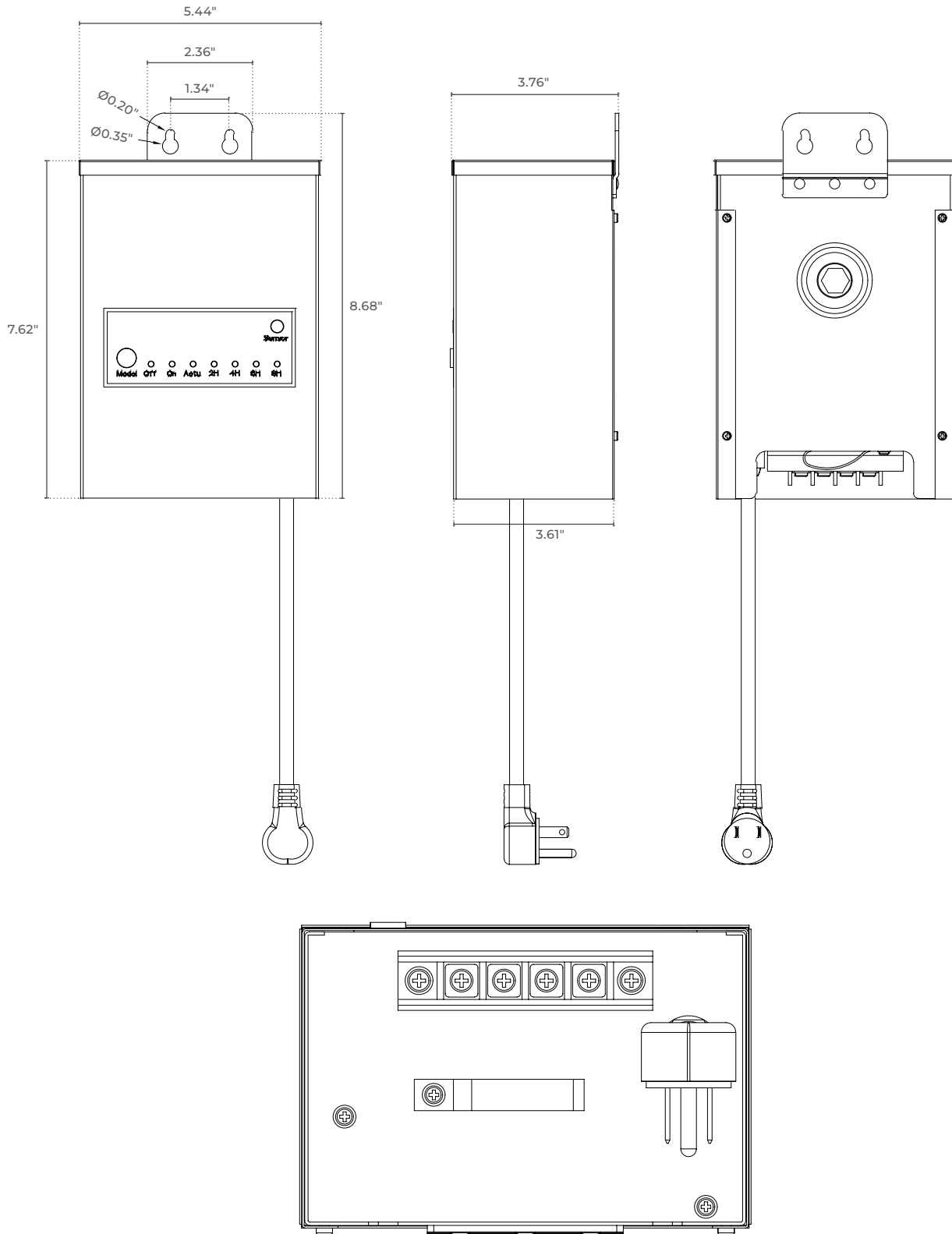
ORDERING LOGIC

EX: XFMR-100

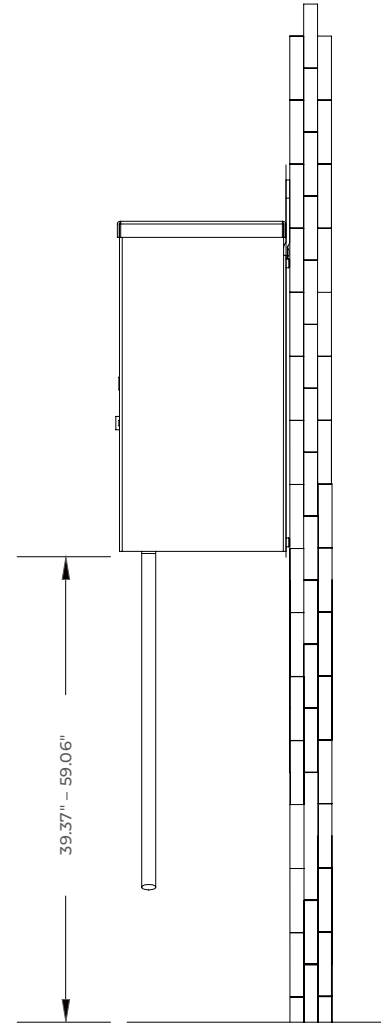
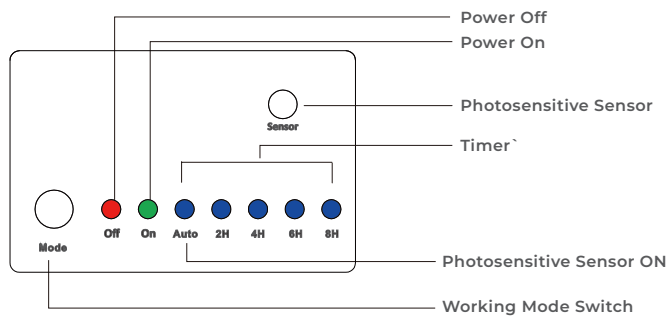
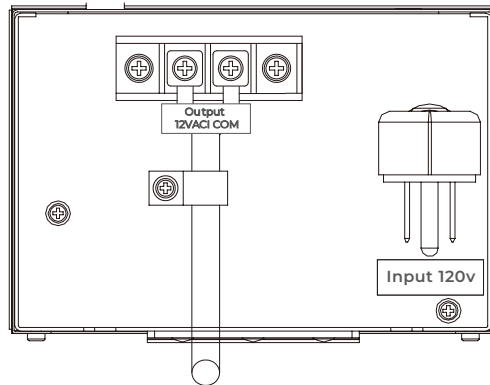
FAMILY	SIZE
XFMR	
	100 100W
	200 200W
	300 300W



DIMENSIONS



LINE DRAWINGS



CONSOLE PANEL REPLACEABLE

