

PROJECT DATE

COMMENTS



IG-LV-LO Louver In-Ground Well Light Low Voltage LED

The IG-LV-LO Louver In-Ground Well Light offers precise, glare-reduced lighting in a rugged, low-profile fixture—ideal for pathways, walls, and architectural accents. A protective louvered trim directs light exactly where it's needed, while field-selectable CCT, IP65 rating, high-efficiency 9W LED output, and weatherproof aluminum construction deliver reliable performance in any environment.

PHYSICAL

Material	Aluminum
Mounting	Recessed In-Ground
Lens Material	PC
Finish	Bronze, Black
Trim Diameter	3.07in / 78mm
Lens Diameter	1.96in / 50mm
Louver Height	0.315in / 8mm
Trim Height	0.12in / 3mm
Can Height	4.13in / 1a05mm
Module Height	2.83in / 72mm
Knockout Diameter	0.87in / 22mm

PERFORMANCE

Warranty	5 years
Certifications	cETLus, Wet Location, CE, RoHS
IP Rating	IP65
Operating Temperature	-4°F - 104°F
CCT	Field Selectable 2700/3000/3500/4000/5000K
CRI	80
Beam Angle	30-degrees

ELECTRICAL

Wattage	9W
Voltage	12-24VDC

ENERGY CHART

FAMILY	DELIVERED LUMENS	WATTAGE	EFFICACY lm/w
IG-LV-LO	600	9	66.67

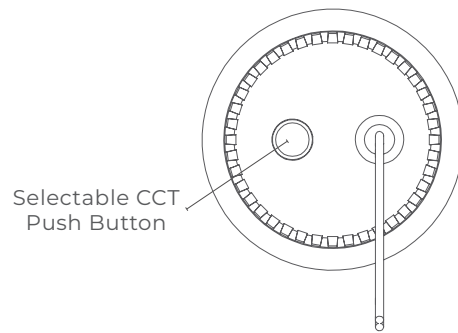
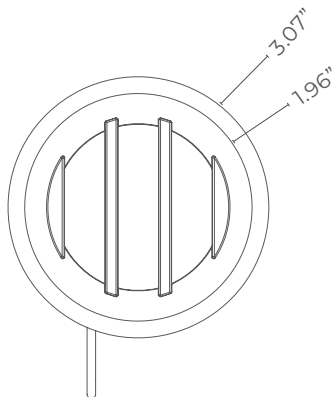
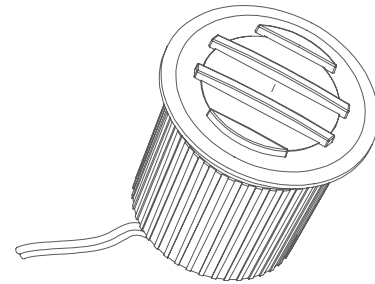
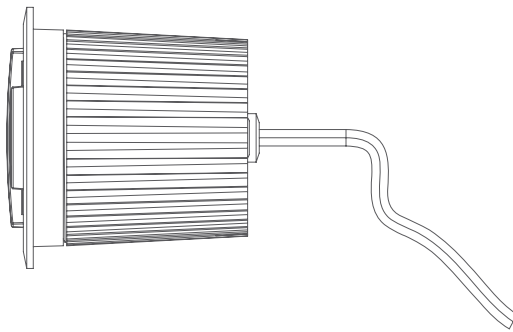
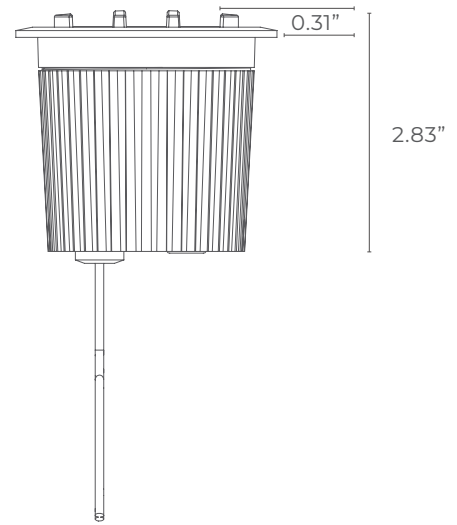
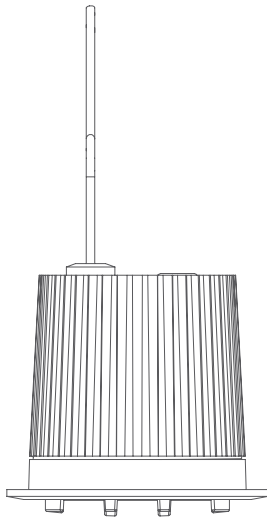
ORDERING LOGIC

EX: IG-LV-LO-FS5-BZ

FAMILY	CCT	FINISH
IG-LV-LO	FS5 Field Selectable 27/30/35/40/50K	BZ Bronze BK Black



DIMENSIONS



DIMENSIONS

