

PROJECT DATE

COMMENTS



IG-LV-EL Eyelid In-Ground Well Light Low Voltage LED

The IG-LV-EL Eyelid In-Ground Well Light delivers focused, glare-controlled illumination with a sleek, recessed design—perfect for pathways, façades, and landscape accents. Featuring a discreet eyelid trim, field-selectable CCT (2700K–5000K), low-voltage operation, and IP65 weather protection, its durable aluminum construction and energy-efficient LED performance ensure long-lasting beauty in any outdoor setting.

PHYSICAL

Material	Aluminum
Mounting	Recessed In-Ground
Lens Material	PC
Finish	Bronze, Black
Trim Diameter	3.07in / 78mm
Eyelid Setback	0.87in / 22mm
Eyelid Height	0.79in / 20mm
Eyelid Lens Opening	0.55in / 14.05mm
Can Height	4.13in / 105mm
Module Height	3.5in / 88.8mm
Knockout Diameter	0.87in / 22mm

PERFORMANCE

Warranty	5 years
Certifications	cETLus, Wet Location, CE, RoHS
IP Rating	IP65
Operating Temperature	-4°F - 104°F
CCT	Field Selectable 2700/3000/3500/4000/5000K
CRI	80
Beam Angle	30-degrees

ELECTRICAL

Wattage	5W
Voltage	12-24VDC

ENERGY CHART

FAMILY	DELIVERED LUMENS	WATTAGE	EFFICACY lm/w
IG-LV-EL	100	5	20

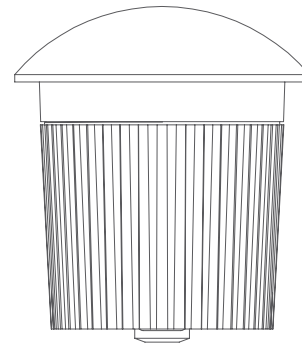
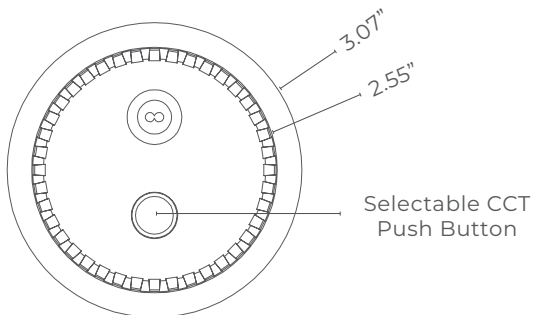
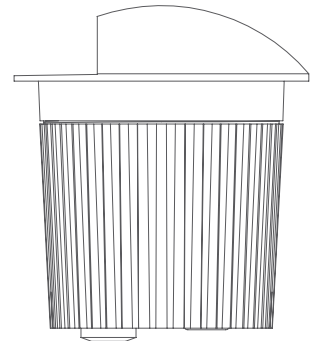
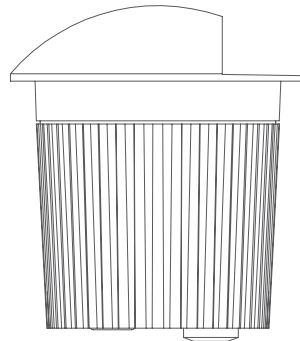
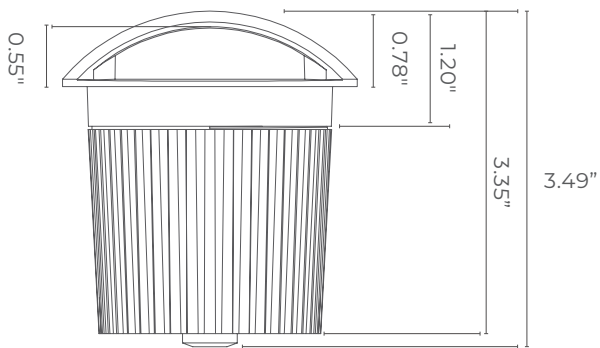
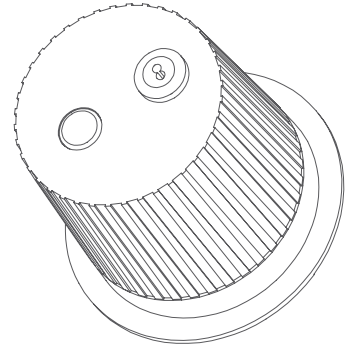
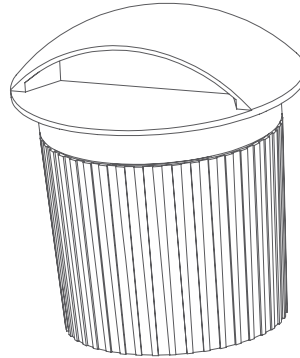
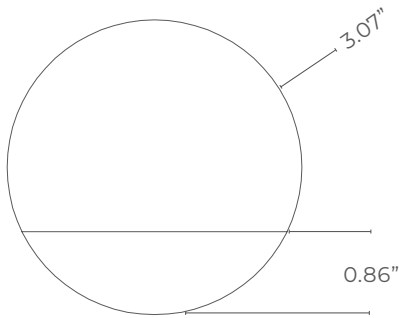
ORDERING LOGIC

EX: IG-LV-EL-FS5-BZ

FAMILY	CCT	FINISH
IG-LV-EL		
	FS5 Field Selectable 27/30/35/40/50K	BZ Bronze BK Black



DIMENSIONS



ADDITIONAL IMAGERY

