

PROJECT DATE

COMMENTS



IN STOCK



ENERGY CHART

SPEED SETTING	LOW	MEDIUM	HIGH
RPM	70	145	180
Amps	0.2	0.4	0.5
Wattage	10	30	59
CFM	1732	3011	4566
CFM/Watts	173	100	77

BLADE FINISH



ROBIN LED CEILING FAN LED

ROBIN-LED is a versatile and dependable ceiling fan with an integral LED light kit designed for residential, hospitality, and light commercial spaces. Featuring a clean, timeless aesthetic with multiple finish and blade options, it delivers quiet, consistent airflow with flexible control options.

- Residential
- Commercial
- Hospitality

PHYSICAL

Material	Metal
Blade Material	3 Plywood Blades
Mounting	Suspended
Fan Diameter	52"
Source	LED
Housing Finish	See Options Below
Blade Finish	See Options Below
Sloped Ceiling Accommodation	Yes
Downrod Length	6" Standard, 40" Maximum

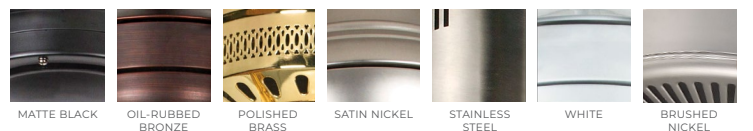
PERFORMANCE

Warranty	10 years for motor, 2 years for light kit, blade, housing, and cap
Certifications	Dry Location, UL
CCT	3000K
Delivered Lumens	1600lm
Dimmable	Yes
Features	Low Noise
Reversible	Yes

ELECTRICAL

Wattage	60W Motor / 19W integrated LED
Voltage	120V
Motor	AC Motor (153x18mm)
Controls	3-Speed Remote Control, 3-Speed Wall Control or Pull Chain
Compatible Wall Control	Lutron Maestro (#MACL-LFQ)

HOUSING FINISH



ORDERING LOGIC

EX: ROBIN LED-3-3RC-MB-BF

FAMILY	BLADES	CONTROL		HOUSING FINISH	
ROBIN LED	3 3 Blades	3RC 3-Speed Remote Control	MB Matte Black	SN Satin Nickel	
	4 4 Blades	3WC 3-Speed Wall Control	ORB Oil-Rubbed Bronze	SS Stainless Steel	
	5 5 Blades	PC Pull Chain	PB Polished Brass	WH White	
			BN Brushed Nickel		

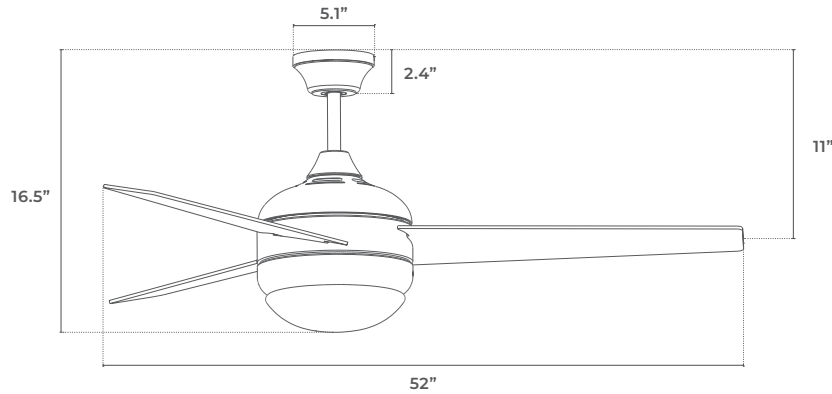
BLADE FINISH

(blank) Brushed Nickel	DF Dark Fern Leaf	RW Rosewood
BF Black Forest	KP Knotty Pine	SO Silver Oak
BK Black	LO Light Oak	WGC Wood Grain Chrome
CL Charcoal	MH Mahogany	WGWB Wood Grain Weathered Bronze
CH Chrome	NO Natural Oak	WGW Wood Grain White
DO Dark Oak	NM Nude Maple	WH White
DW Dark Walnut	ORB Oil-Rubbed Bronze	

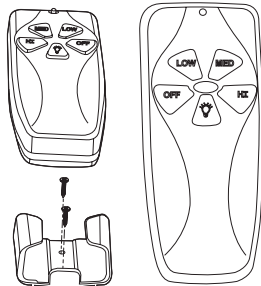
ORDERING NOTES

- 1 Custom finishes for hardware and blades available upon request, consult factory for details and pricing
- 2 Different blade count available upon request, consult factory for details and pricing

DIMENSIONS



REMOTE CONTROL



WALL SWITCH

DIMENSIONS
3.3" x 2"

NOTE: It installs onto standard US switch boxes



COMPATIBLE FAN CONTROLS

LUTRON MAESTRO (#MACL-LFQ)

WORKING PARAMETERS

FAN SPEED	1	2	3	4
RPM	54	84	117	185
Wattage (W) (MOTOR + LAMP)	25.4	31.6	41.2	69
Current (A) (MOTOR + LAMP)	0.29	0.35	0.43	0.6



ADDITIONAL IMAGERY

ROBIN-3 IMAGES



ROBIN-4 IMAGES



ROBIN-5 IMAGES

