

PROJECT  DATE

COMMENTS



Round Trim



Square Trim



Round Trimless



Square Trimless

### ENERGY CHART

SIZE inches	WATTAGE	ROUND 24°		SQUARE 24°	
		DELIVERED LUMENS	EFFICACY (lm/w)	DELIVERED LUMENS	EFFICACY (lm/w)
3	5W	475	95	475	95
3	8W	800	100	768	96
3	10W	990	99	950	95
3	13W	1235	95	1183	91
3	16W	1456	91	1390	87
3	19W	1690	89	1615	85

## SPUR-3 3" ARCHITECTURAL DOWNLIGHT LED

The SPUR-3 is a high-performance 3" architectural LED downlight delivering up to 1700 lumens with precise optical control and exceptional visual comfort. The modular platform supports interchangeable standard and low-glare optics, field-selectable wattage, and dual dimming compatibility (0-10V dimming to 1% and TRIAC). Offered in trimmed or trimless configurations with adjustable options and 90+ CRI fixed CCT or 95+ CRI Dim-to-Warm, SPUR-3 provides flexibility for hospitality, retail, residential, and commercial applications.

- Residential
- Commercial
- Hospitality

### PHYSICAL

Material	Aluminum housing / die-cast aluminum (heat-sink body)
Mounting	Interchangeable optics (standard or low-glare lens)
Lens	Recessed (Remodel, New Construction Frame Kit, or IC Housing Kit)
Reflector	Classic reflector-inspired optical design; interchangeable optics
Finish	Powder coat White or Black (trim dependent)

### PERFORMANCE

Warranty	5 years
Certifications	cULus listed for damp locations; IC-rated option (with IC housing)
IP Rating	Damp Location
Rated Life	L70 > 50,000 hours
Operating Temperature	-20°C to +40°C (-4°F to 104°F)
CCT	2700K / 3000K / 3500K / 4000K or Dim-to-Warm (3000K-2000K)
CRI	90+ (Fixed CCT) or 95+ (Dim-to-Warm)
Beam Angle	15°, 24°, 36°, 60° (standard) + Low Glare 18°, 24°, 38°, 50°

### ELECTRICAL

Wattage	5-19W (field selectable)
Voltage	110-277V AC (driver dependent); TRIAC 120V only
Power Factor	>0.9
Dimmable	0-10V (dims to 1%) and TRIAC
THD	<20%

ORDERING LOGIC ON NEXT PAGE





**ORDERING LOGIC**

EX: SPUR-3-19-30-15-RO-RW-R

FAMILY	WATTAGE	CCT	BEAM ANGLE <sup>2</sup>	TRIM
<b>SPUR-3</b>	<b>19</b>			
	19 <sup>1</sup> 5-19W Field Selectable	<b>27</b> 2700K <small>(90+ CRI)</small> <b>30</b> 3000K <small>(90+ CRI)</small> <b>35</b> 3500K <small>(90+ CRI)</small> <b>40</b> 4000K <small>(90+ CRI)</small> <b>DT</b> Dim-to-Warm 3000K-2000K <small>(95+ CRI, 13W MAX)</small>	<b>15</b> 15° <b>L18</b> Low Glare 18° <b>24</b> 24° <b>L24</b> Low Glare 24° <b>36</b> 36° <b>L38</b> Low Glare 38° <b>60</b> 60° <b>L50</b> Low Glare 50°	<b>RO</b> Round Open <b>SO</b> Square Open <b>ARO</b> Adjustable Round Open <small>(30° TILT + 360° ROTATION)</small> <b>ASO</b> Adjustable Square Open <small>(30° TILT + 360° ROTATION)</small> <b>TLRO</b> Trimless Round <b>TLSO</b> Trimless Square

**TRIM SHADE<sup>3</sup>**

<b>SW</b> Square White	<b>PWW</b> <small>PINHOLE ROUND</small> Inside White / Outside White	<b>OWW</b> <small>PINHOLE OVAL</small> Inside White / Outside White	<b>WRW</b> <small>ROUND WALL WASH</small> White
<b>SB</b> Square Black	<b>PBW</b> <small>PINHOLE ROUND</small> Inside Black / Outside White	<b>OBW</b> <small>PINHOLE OVAL</small> Inside Black / Outside White	<b>WRB</b> <small>ROUND WALL WASH</small> Black
<b>SG</b> Square Gold	<b>PGW</b> <small>PINHOLE ROUND</small> Inside Gold / Outside White	<b>OGW</b> <small>PINHOLE OVAL</small> Inside Gold / Outside White	<b>WSW</b> <small>SQUARE WALL WASH</small> White
<b>SC</b> Square Chrome	<b>PCW</b> <small>PINHOLE ROUND</small> Inside Chrome / Outside White	<b>OCW</b> <small>PINHOLE OVAL</small> Inside Chrome / Outside White	<b>WSB</b> <small>SQUARE WALL WASH</small> Black
<b>RW</b> Round White	<b>PWB</b> <small>PINHOLE ROUND</small> Inside White / Outside Black	<b>OWB</b> <small>PINHOLE OVAL</small> Inside White / Outside Black	
<b>RB</b> Round Black	<b>PBB</b> <small>PINHOLE ROUND</small> Inside Black / Outside Black	<b>OBB</b> <small>PINHOLE OVAL</small> Inside Black / Outside Black	
<b>RG</b> Round Gold	<b>PGB</b> <small>PINHOLE ROUND</small> Inside Gold / Outside Black	<b>OGB</b> <small>PINHOLE OVAL</small> Inside Gold / Outside Black	
<b>RC</b> Round Chrome	<b>PCB</b> <small>PINHOLE ROUND</small> Inside Chrome / Outside Black	<b>OCB</b> <small>PINHOLE OVAL</small> Inside Chrome / Outside Black	

**INSTALL TYPE<sup>4</sup>**

<b>R</b> Retrofit <small>(NON-IC)</small>
<b>NF</b> New Construction — Frame Kit <small>(NON-IC)</small>
<b>NC</b> New Construction — Housing Insulation Kit <small>(IC)</small>

**ORDERING NOTE**

1. Wattage is field-selectable at installation (5W, 8W, 10W, 13W, 16W, 19W).
2. Standard and Low Glare optics are interchangeable; select Lxx for low-glare lens options.
3. Trim shade codes define visible shade finish/geometry (square/round/pinhole/wall wash).
4. IC option requires IC housing insulation kit.

**ACCESSORIES ORDERING LOGIC (ORDER SEPARATELY)**

EX: SPUR-3-HB

FAMILY	ACCESSORIES
<b>SPUR-3</b>	
<b>HB</b> Honeycomb <small>(ONLY FOR ROUND/SQUARE SHADE)</small>	<b>DGB</b> Decorative Kit – Green <small>(BLACK FACE PLATE)</small>
<b>WR</b> Waterproof Plate (Wet Rated) For Round Shade	<b>DGW</b> Decorative Kit – Green <small>(WHITE FACE PLATE)</small>
<b>WS</b> Waterproof Plate (Wet Rated) For Square Shade	<b>DTB</b> Decorative Kit – Transparent <small>(BLACK FACE PLATE)</small>
<b>EM</b> Emergency Field-install 16W LED Emergency Driver	<b>DTW</b> Decorative Kit – Transparent <small>(WHITE FACE PLATE)</small>
<b>DYB</b> Decorative Kit – Yellow <small>(BLACK FACE PLATE)</small>	<b>DBB</b> Decorative Kit – Blue <small>(BLACK FACE PLATE)</small>
<b>DYW</b> Decorative Kit – Yellow <small>(WHITE FACE PLATE)</small>	<b>DBW</b> Decorative Kit – Blue <small>(WHITE FACE PLATE)</small>



**SPECIFICATIONS**

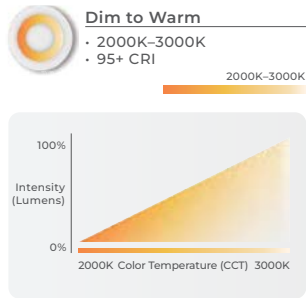
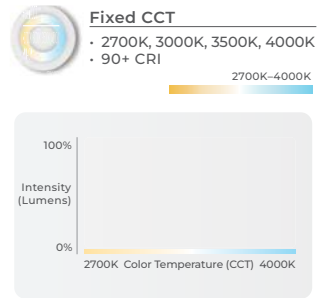
**LED SYSTEM**

**LED:** Powered by CREE or Bridgelux high efficiency COB LED chip.

**CRI:** 90+ for fixed CCT or 95+ CRI for Dim to Warm, producing outstanding illumination at a tight chromaticity specification and color binning process.

**CCT:** 2700K, 3000K, 3500K and 4000K fixed CCT with a great color consistency or Dim to Warm from 3000K to 2000K.

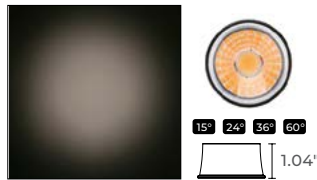
**Light Engine Heatsink:** Aluminum housing acting as the heat sink to maximize life. The temperature of all heatsinks are controlled at 60-70°C.



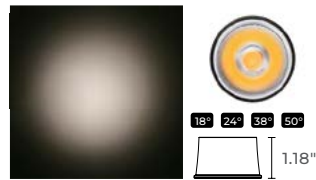
**OPTICS**

Classic reflector-like design provides high lighting transmittance. It effect in light control and anti-glare with side facula and fade-out facula. The MR16 standard size(diameter 1.96")design make them widely practical. Available in 15°~60° beam angles, beam spreads are interchangeable which can be easily swapped out in the field without tools.

**Standard Lens**



**Low Glare Lens**



**TRIM FINISH/SHADE**

Powder coat white and black finishes offer uniform finish providing long term performance and superior aesthetic, compatible for multiple trim shades.



**ELECTRICAL**

**LED Driver:** It is powered by Class 2 high efficiency LED driver, with a standard 0-10V dimming which continuous dims to 1% or Triac dimming that works with many types of controls. Thermal overload protection shuts down the luminaire when system temperatures exceed designed operating conditions.

**THD:** <20%

**Power Factor:** >0.9

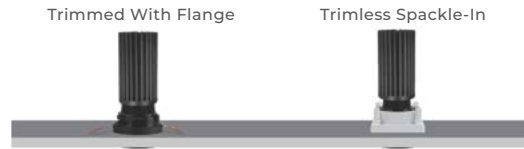
**Input Voltage:** Standard electronic drivers are cULus recognized and available for 110-277V AC.

**Environment:** Environment damp rated for ambient operating temperature of -20°C to +40°C (-4° to +104°F)

**INSTALLATION**

Twist & Lock mechanism for easy trim installation.

Durable tension clips enable fast and easy flush installation.



**WARRANTY**

Five-year warranty for parts and components. (Labor not included)

**LISTINGS**

• cULus listed for damp locations.

**Notes:**

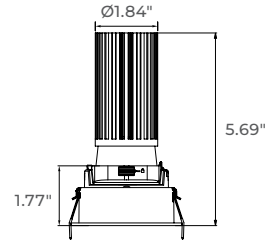
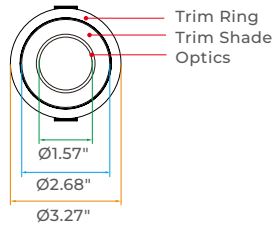
- Ambient temperatures at fixture location should not exceed 40°C during normal operation.
- For interior use only



**DIMENSIONS**

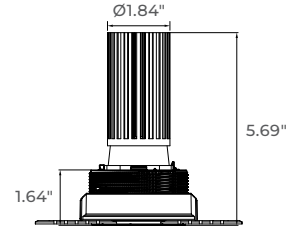
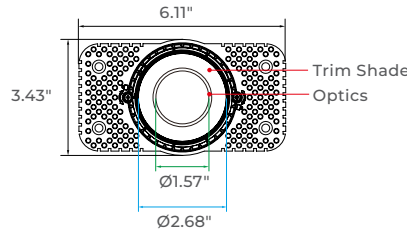
**ROUND TRIM**

Mounting Diameters: 2.96"-3.11"



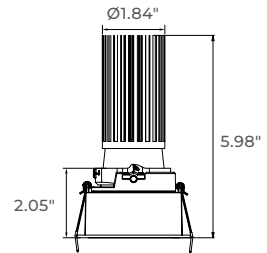
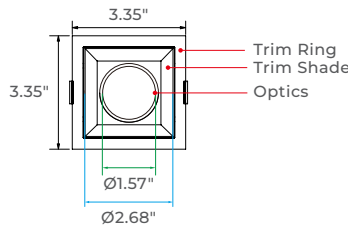
**ROUND TRIMLESS**

Mounting Diameters: 3.51"-3.70"



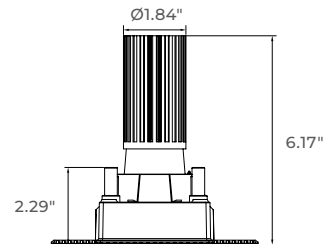
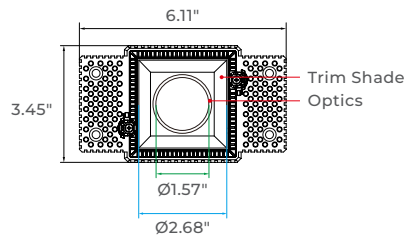
**SQUARE TRIM**

Mounting Diameters: [2.96"-3.11"] × [3.11"-3.19"]



**SQUARE TRIMLESS**

Mounting Diameters: 3.51"-3.70"

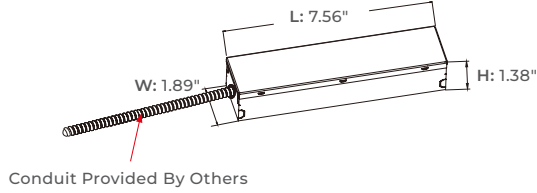
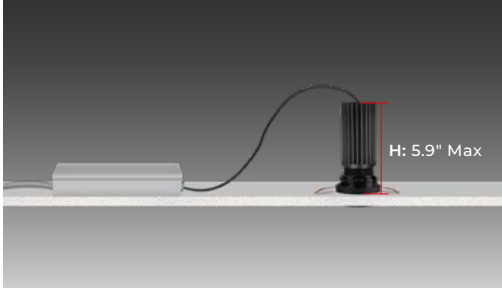




**MOUNTING**

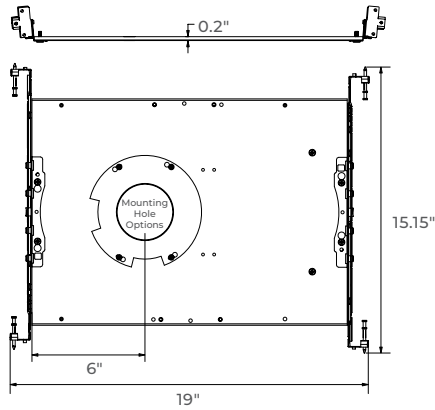
**Remodel (NON-IC)- LED Driver Box**

It can be installed in existing ceilings for remodel application. Simple cut a hole in existing drywall ceilings.



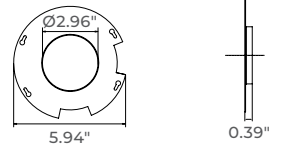
**New Construction-Frame Kit (NON-IC)**

A rough-in frame option is available for all new constructions and a variety of ceiling types. LED driver box rests on the frame kit by magnet when installed as shown below.

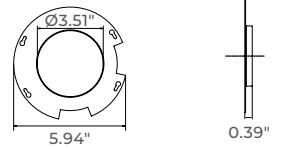


**MOUNTING HOLE OPTIONS**

**ROUND TRIM**

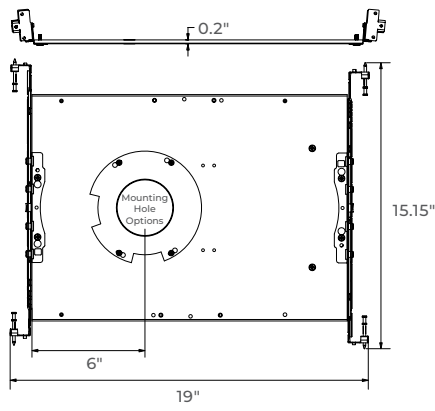


**ROUND TRIMLESS**

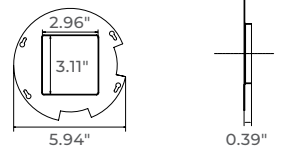


**New Construction-Housing Insulation Kit (IC)**

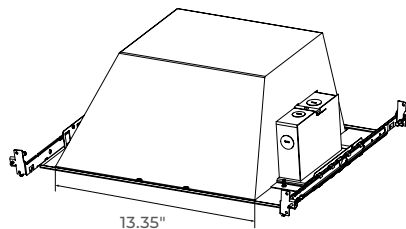
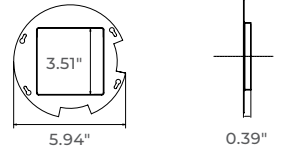
An IC-rated housing frame kit allows placement of 3inch LED downlight in direct contact with insulation.



**SQUARE TRIM**



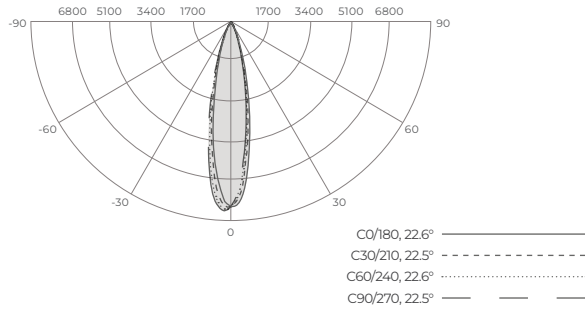
**SQUARE TRIMLESS**





**PHOTOMETRICS - 3" Round - 19W - 3000K - 24°**

AVERAGE BEAM ANGLE (50%): 22.6°



**ZONAL FLUX DIAGRAM**

T	C0	C45	C90	C135	C180
10	4692	4157	3789	3903	4333
20	1363	1157	1005	1035	1168
30	307.5	269.5	220.7	207.2	240.7
40	14.08	14.54	14.73	14.24	13.66
50	4.167	4.152	4.343	4.449	4.585
60	2.910	3.014	3.282	3.277	3.334
70	1.667	1.879	2.086	2.094	1.894
80	0.4451	0.4716	0.6493	0.5151	0.4606
90	0.0311	0.0135	0.0317	0.0091	0.0223
100	0.0266	0.0450	0.0227	0.0453	0.0444
110	0.2036	0.2749	0.3032	0.3265	0.0979
120	1.077	1.306	1.511	1.500	0.5293
130	3.854	4.383	4.893	4.808	2.099
140	8.471	9.035	9.516	9.460	6.040
150	11.99	12.27	12.49	12.45	10.65
160	13.21	13.05	13.10	12.98	12.59
170	11.69	11.24	11.06	10.99	11.16
180	9.987	10.21	10.16	10.30	10.01
DEG	LUMINOUS INTENSITY: cd				

**ZONAL LUMEN SUMMARY**

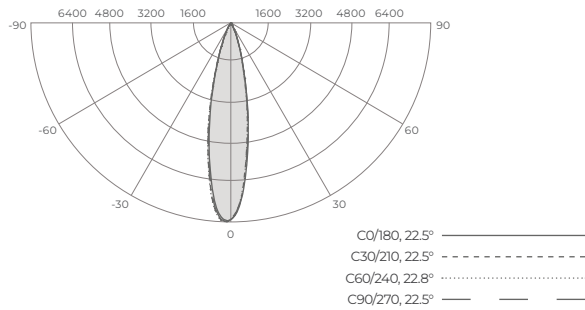
T	Φ TOTAL
0-10	576.8
10-20	1287
20-30	1588
30-40	1652
40-50	1658
50-60	1661
60-70	1664
70-80	1665
80-90	1665
90-100	1665
100-110	1665
110-120	1666
120-130	1667
130-140	1671
140-150	1677
150-160	1683
160-170	1686
170-180	1687
	UNIT: lm

**Luminance cd/(m2)**

G(DEG)	C0/180	C90/270
85	180	638
80	744	1063
75	1112	1426
70	1414	1735
65	1711	1995
60	1689	1866
55	1756	1832
50	1881	1921
45	2314	2250

**PHOTOMETRICS - 3" Square - 19W - 3000K - 24°**

AVERAGE BEAM ANGLE (50%): 22.5°



**ZONAL FLUX DIAGRAM**

T	C0	C45	C90	C135	C180
10	4048	3864	3957	4441	5003
20	990.0	983.0	1048	1205	1367
30	188.4	199.2	211.4	234.7	273.7
40	11.87	15.51	12.83	17.25	14.22
50	7.034	7.424	7.276	7.575	7.011
60	6.750	7.004	7.307	8.800	6.668
70	1.541	2.531	1.626	3.081	1.640
80	0.4825	0.4814	0.6059	0.4547	0.4580
90	0.0315	0.0225	0.0454	0.0226	0.0270
100	0.0270	0.0496	0.0316	0.0406	0.0540
110	0.2110	0.2483	0.2026	0.1987	0.0990
120	1.222	1.277	1.199	1.043	0.3785
130	4.310	4.431	4.330	3.869	1.564
140	8.860	8.974	8.882	8.419	5.014
150	11.92	11.94	11.92	11.68	9.680
160	12.72	12.49	12.62	12.55	12.14
170	10.70	10.46	10.70	10.82	11.03
180	9.356	9.628	9.623	9.696	9.401
DEG	LUMINOUS INTENSITY: cd				

**ZONAL LUMEN SUMMARY**

T	Φ TOTAL
0-10	198.8
10-20	656.9
20-30	1051
30-40	1188
40-50	1209
50-60	1215
60-70	1219
70-80	1221
80-90	1221
90-100	1221
100-110	1221
110-120	1222
120-130	1224
130-140	1227
140-150	1230
150-160	1234
160-170	1236
170-180	1237
	UNIT: lm

**Luminance cd/(m2)**

G(DEG)	C0/180	C90/270
85	140	554
80	619	774
75	849	911
70	1004	1055
65	2826	2900
60	3007	3243
55	2626	2749
50	2437	2512
45	2299	2348





**ADDITIONAL IMAGERY**



**SQUARE TRIMS**



Square White (SW)    Square Black (SB)    Square Gold (SG)    Square Chrome (SC)

**ROUND TRIMS**



Round White (RW)    Round Black (RB)    Round Gold (RG)    Round Chrome (RC)

**PINHOLE ROUND TRIMS**



Inside White, Outside White (PWW)    Inside Black, Outside White (PBW)    Inside Gold, Outside White (PGW)    Inside Chrome, Outside White (PCW)    Inside White, Outside Black (PWB)    Inside Black, Outside Black (PBB)    Inside Gold, Outside Black (PGB)    Inside Chrome, Outside Black (PCB)

**PINHOLE OVAL TRIMS**



Inside White, Outside White (OWW)    Inside Black, Outside White (OBW)    Inside Gold, Outside White (OGW)    Inside Chrome, Outside White (OCW)    Inside White, Outside Black (OWB)    Inside Black, Outside Black (OBB)    Inside Gold, Outside Black (OGB)    Inside Chrome, Outside Black (OCB)

**WALL WASH TRIMS**



Round White Wall Wash (WRW)    Round Black Wall Wash (WRB)    Square White Wall Wash (WSW)    Square Black Wall Wash (WSB)

**DECORATIVE KIT**



Black Face Plate, Yellow (DYB)    Black Face Plate, Green (DGB)    Black Face Plate, Transparent (DTB)    Black Face Plate, Blue (DBB)

